

Technical and Dimensional Data

Saf-T Vent[®] CI 316

Double Wall
One Inch Air Space
316L Stainless Steel
Special Gas Vent

For Venting Commercial & Industrial Appliances
Condensing Appliances
Category I,II,III,IV Appliances

For Use on Positive, Neutral, and Negative Pressures up to 15" W.C.
Also For Venting Listed Gas or Oil Fired Appliances Listed as Suitable For
Venting With Type L Vent Low-Temperature Venting Systems
Sizes: 4"- 32" Diameters



Tested and Listed to
UL 1738/ULC S636
by Underwriters Laboratories, Inc
Also Listed to UL 641, ULC/ORD-C441-M1990 and
CAN-ULC-S609-M89

heatfab[®]

5030 Corporate Exchange Blvd
Grand Rapids, MI 49512
Call (800) 772-0739
Fax (800) 972-1421
Canada Sales: 888-735-5475

www.heatfab.com

Saf-T Vent[®] CI 316

DOUBLE WALL 316L SPECIAL GAS VENT

TABLE OF CONTENTS

CATEGORY	PART DESCRIPTION	PAGE
Introduction	Introduction	3
	Part Numbering System	3
	Surface Temperatures	4
	Material Thickness	5
Accessories	RTV Sealant	5
	Silicone Lubricant	5
	Universal Boiler Adapter	6
	Adapter, From/To EZ Seal	6
	Double Male Adapter	7
	Flanged Adapter	7
	Fire Stop	8
	Condensate Drain Tube Kit	8
	In-Line Damper Section	9
	Vent Flow Regulator	9
	In-Line Probe Section	10
	In-Line Drain Section	11
Boot Tees & Covers	Tee Cover with Drain Fitting	12
	Tee Cover	13
	Boot Tees	14
	Boot Tees with Reducing Tap	15
	Square Tee	16
	Barometric Tee	17
Increasers	Increaser	18
Reducer	Reducer	19
Elbows	15° Elbow	20
	30° Elbow	21
	45° Elbow	22
	90° Elbow	23
	Tight Radius 90° Elbow	24
Straight Lengths	6" Length, 9" Length	25
	12" Length, 18" Length	26
	24" Length, 36" Length	27
	Long Adjustable Length	28
	Short adjustable Length	29
	Guy Support Section	30
Supports & Hangers	Floor Support	31
	Vertical Support Plate	31
	Vertical Support	32
	Horizontal Support	33
	Support Clamp	33
Terminations	Roof Jack Support System	34
	Tall Cone Flashing and Support	35
	Pitched Tall Cone Flashing	36
	Wall Termination/Penetration	37
	Wall Penetration	38
	Rain Cap	39
	Screened Termination	39
Exit Cone	40	
Termination	Finish Collar	41
Accessories	Ventilation Collar	41

Saf-T Vent[®] CI 316

DOUBLE WALL 316L SPECIAL GAS VENT

Introduction:

Saf-T Vent CI 316 is a 316L stainless steel conduit with a one-inch air space and a type 430 stainless steel outer jacket. It is ideal for close clearance installation within building chases.

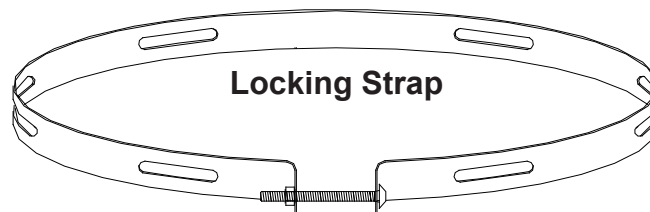
Saf-T Vent CI 316 combines the tight fit of the tapered male and female expands with a patented* closure system which consists of tabs and a locking strap. The locking strap provides a mechanical connection between the two assembled sections. It also serves to pull together the two pieces, making a pressure-tight assembly. The locking strap is tightened from a single location using a simple hand tool. This single-point fastening system allows one installer to complete an assembly without rotating the sections or rotating himself around the sections.

The double-wall construction allows for an insulating blanket of 1" air space between the inner wall and the outer wall. This air insulation has the advantage of keeping the flue gases warmer as well as making the skin temperature of the outer wall cooler. The reduced skin temperature allows the product to be installed in closer proximity to combustible materials. Refer to the installation instructions for Heat-fab's Saf-T Vent CI 316 system (HF-IMI-CI).

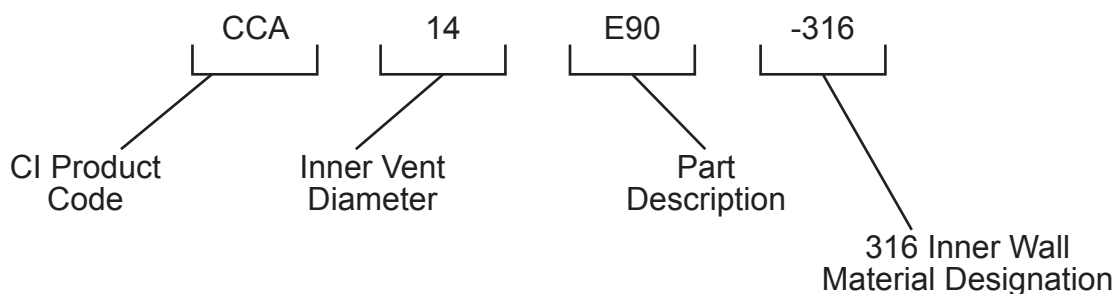
Select components are constructed with alternate materials and are not designated with a -316 suffix. These components include terminations, supports, flashings, and penetrations. Installations can be comprised of CI 316 and CI Plus components.

**CI 316 is also available with fiber glass insulation between the walls (ICC.... part codes) for further skin reduction temperatures. Clearances to combustibles remain the same as 1" airspace model.

Patent No. 6,702,338



Part Numbering System for CI 316

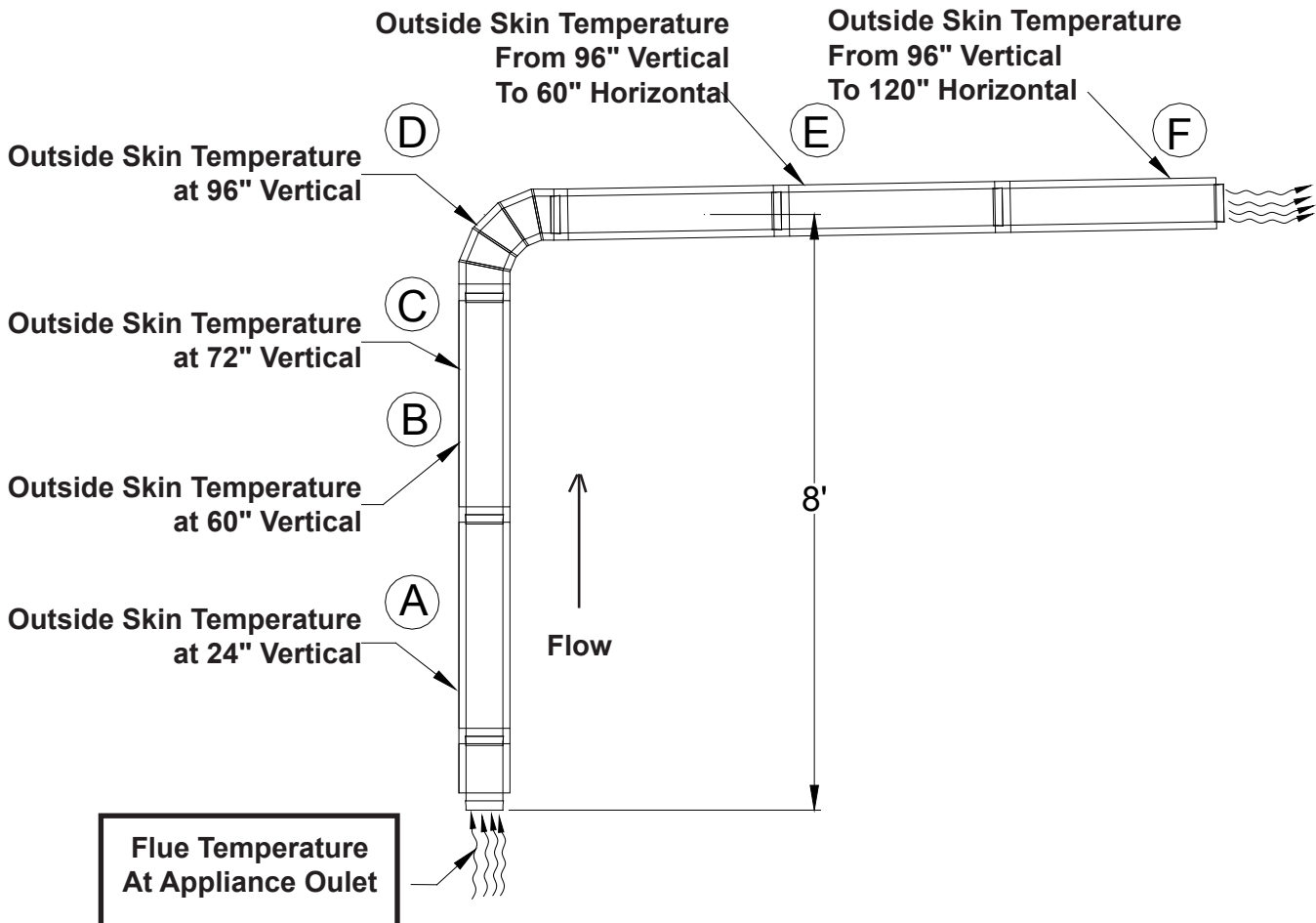


Saf-T Vent[®] CI 316

DOUBLE WALL 316L SPECIAL GAS VENT

Typical Outside Skin Temperature Saf-T Vent CI and Saf-T Vent CI 316 6" Diameter at 4 Hour Continuous Operation

			Location Ⓐ	Location Ⓑ	Location Ⓒ	Location Ⓓ	Location Ⓔ	Location Ⓕ
Model Double Wall 6" Diameter	Appliance Outlet Flue Temperature	Room Ambient Temperature	24" Vertical	60" Vertical	72" Vertical	96" Vertical	96" Vertical & 60" Horizontal	96" Vertical & 120" Horizontal
Saf-T Vent CI 316	300°F / 149°C	75°F / 24°C	100°F / 38°C	110°F / 43°C	120°F / 49°C	135°F / 57°C	142°F / 61°C	132°F / 56°C
Saf-T Vent CI 316	380°F / 193°C	75°F / 24°C	132°F / 56°C	124°F / 52°C	129°F / 58°C	149°F / 65°C	164°F / 73°C	151°F / 66°C
Saf-T Vent CI 316	420°F / 216°C	75°F / 24°C	138°F / 59°C	138°F / 59°C	126°F / 69°C	157°F / 77°C	170°F / 77°C	161°F / 72°C



Saf-T Vent® CI 316

DOUBLE WALL 316L SPECIAL GAS VENT

Material Thickness:

Inner Vent Diameter	Wall Thickness – Inner Vent	Wall Thickness – Outer Jacket
4 – 8"	0.015" (28 ga)	0.024" (24 ga)
9 – 16"	0.020" (26 ga)	
18 – 24"	0.025" (24 ga)	
26 – 32"	0.035" (20 ga)	0.030" (22 ga)

Field Applied Sealant (18" - 32" Inner Vent Diameter):

In order to have a UL Listed system, Model CI Plus/CI 316 components must be installed with one of the approved sealants shown in the table below. Momentive RTV 106 and Dow Corning 736 are Silicone RTV sealants. SGV 550 is a Fluoroelastomer FKM sealant and provides increased corrosion resistance when compared to Silicone.

Maximum Appliance Flue Gas Temperature	Sealant	Size	Heatfab Part Number
550° F	Momentive RTV 106	2.8 oz tube	7000RTV
		10.1 oz cartridge	7000RTVL
	Dow Corning 736		
	SGV 550	10.1 oz cartridge	7000 FKM

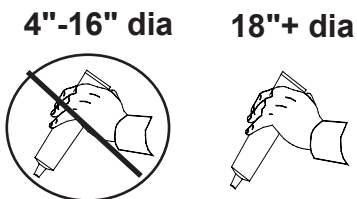
Approximate Coverage

The table below shows the approximate number of installed joints that can be completed with a container of sealant. These figures are based on a 1/4" bead of sealant. Actual coverage may vary.

Note: In planning the sealant required for an installation, please be aware that certain fittings require additional sealant in order to achieve a proper positive-pressure seal. The following types of parts should be counted as 2 joints toward the Sealant coverage table:

- Boiler Starters
- Adjustable Sections
- Flue Collar Adapters
- Boot Tees

Approx Number of Joints for Sealant		
Inner Vent Diameter, Inches	3 oz Tube	10 oz Cartridge
18	4	14
20	4	13
22	3	12
24	3	11
26	3	10
28	3	9
30	2	9
32	2	8



Approx Number of Joints for Lube	
Inner Vent Diameter, Inches	5 oz Tube
4"	50
5"	40
6"	38
7"	36
8"	28
9"	26
10"	20
12"	18
14"	14
16"	12



Factory Installed Gasket - Lubricant (4"-16" inner Vent Diameter):

Model CI 316 components (identified by a -316 suffix in the part number) utilize an integral gasket made of Silicone material (color red) for joint connection and it is required to apply gasket lubricant (p/n 7001SIL-5, sold separately) to the factory installed gasket when assembling the pipe. Apply lubricant directly to the gasket on the inside female pipe end, both edges of gasket (reference table above for usage amounts).

Model CI Plus components, starting November 13, 2017, will begin phasing in an integral gasket made of Fluoroelastomer FKM material (color black) for joint connection. The FKM material does not require a lubricant to be applied when assembling the pipe; if desired, gasket lubricant (p/n 7001SIL-5) or soapy water can be applied. If the component was produced prior to November 13, 2017, it utilizes a gasket made of silicone material (red color) and it is required to apply gasket lubricant (reference above paragraph)

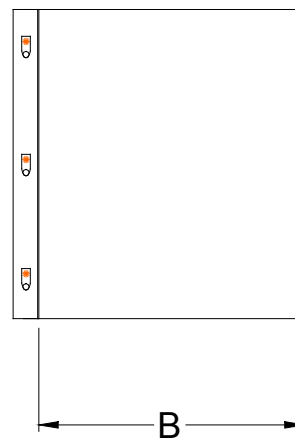
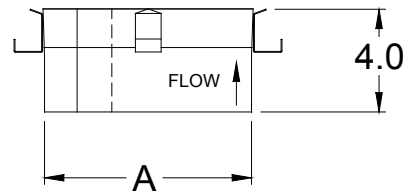
Saf-T Vent[®] CI 316

DOUBLE WALL 316L SPECIAL GAS VENT

Accessories:

Universal Boiler Adapter— Used horizontally or vertically to adapt Saf-T Vent CI Plus to nominal diameter flue collars, it can also adapt to boiler collars that are slightly out of round. The adapter comes with a joint locking strap, boiler collar clamp and a coupler band.

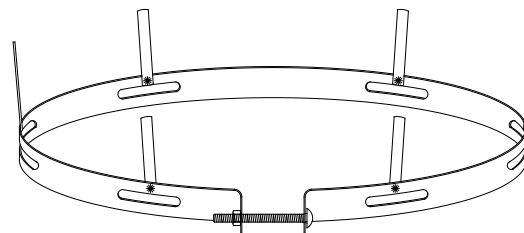
Part Number	DIM - A Nominal Inner Diameter	DIM - B Nominal Diameter Outer Jacket
CCA04ADUV	4	6.3
CCA05ADUV	5	7.3
CCA06ADUV	6	8.3
CCA07ADUV	7	9.3
CCA08ADUV	8	10.3
CCA09ADUV	9	11.3
CCA10ADUV	10	12.3
CCA12ADUV	12	14.3
CCA14ADUV	14	16.3
CCA16ADUV	16	18.3
CCA18ADUV	18	20.3
CCA20ADUV	20	22.3
CCA22ADUV	22	24.3
CCA24ADUV	24	26.3
CCA26ADUV	26	28.3
CCA28ADUV	28	30.3
CCA30ADUV	30	32.3
CCA32ADUV	32	34.3



**Universal
Boiler Adapter**

Adapter From CI 316 to EZ Seal / EZ Seal To CI 316— Used horizontally or vertically to adapt to or from Saf-T Vent CI 316 nominal diameter to Saf-T Vent EZ Seal/EZ 316. The adapter consists of a joint locking strap with tabs for connecting to the Saf-T Vent EZ Seal/EZ 316 ring.

Part Number	DIM - A Nominal Vent Diameter
CCA04ADSV	4
CCA05ADSV	5
CCA06ADSV	6
CCA07ADSV	7
CCA08ADSV	8
CCA09ADSV	9
CCA10ADSV	10
CCA12ADSV	12
CCA14ADSV	14
CCA16ADSV	16



**Vent Adapter
To Saf-T Vent CI & EZ Seal**

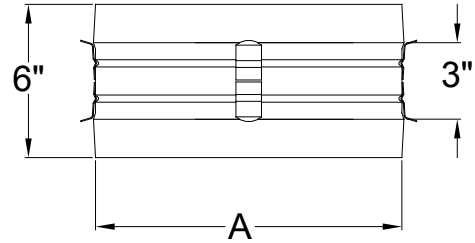
Saf-T Vent® CI 316

DOUBLE WALL 316L SPECIAL GAS VENT

Accessories:

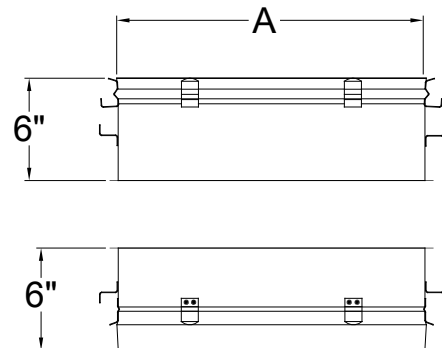
Double Male Adapter — This adapter is to be used in conjunction with an universal adapter when attaching to an in-line draft inducing fan that has a collar at the inlet.

Part Number	DIM - A	
	Diameter	Installed Length
CCA04MM	4	3
CCA05MM	5	3
CCA06MM	6	3
CCA07MM	7	3
CCA08MM	8	3
CCA09MM	9	3
CCA10MM	10	3
CCA12MM	12	3
CCA14MM	14	3
CCA16MM	16	3
CCA18MM	18	3
CCA20MM	20	3
CCA22MM	22	3
CCA24MM	24	3
CCA26MM	26	3
CCA28MM	28	3
CCA30MM	30	3
CCA32MM	32	3



Double Flange Adapter — This adapter can be used to attach a flanged in-line damper or balancing baffle to Saf-T Vent products. Adapter comes in two sections, a male and a female end connection.

Part Number	DIM - A	
	Diameter	Installed Length
CCA04PS	4	4.5
CCA05PS	5	4.5
CCA06PS	6	4.5
CCA07PS	7	4.5
CCA08PS	8	4.5
CCA09PS	9	4.5
CCA10PS	10	4.5
CCA12PS	12	4.5
CCA14PS	14	4.5
CCA16PS	16	4.5
CCA18PS	18	4.5
CCA20PS	20	4.5
CCA22PS	22	4.5
CCA24PS	24	4.5
CCA26PS	26	4.5
CCA28PS	28	4.5
CCA30PS	30	4.5
CCA32PS	32	4.5



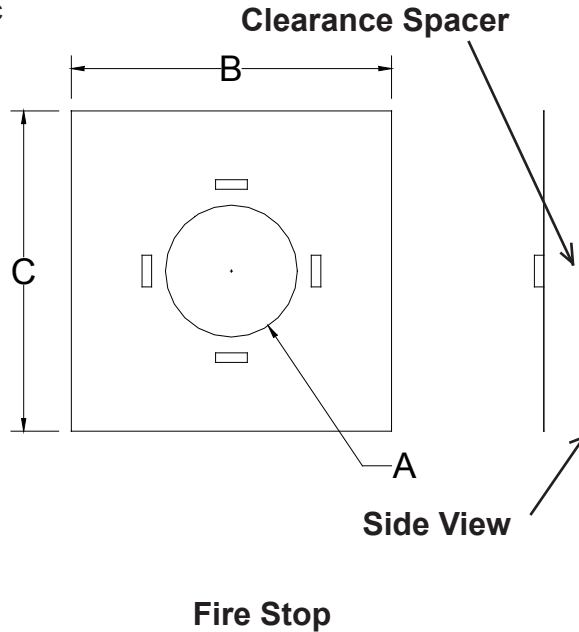
Saf-T Vent® CI 316

DOUBLE WALL 316L SPECIAL GAS VENT

Accessories:

Fire Stop — A firestop may be required anytime Saf-T Vent CI 316 penetrates combustible floors, walls, or ceilings. Remove any insulating material from the floor, wall or ceiling cavity for at least 1" around the vent for diameters 4" - 24" and 2" around the vent for diameters 26" - 32". Review fire codes and consult with local building code officials to determine the necessity for a firestop. The stainless steel firestop may be trimmed provided the required clearances are maintained.

Part Number	DIM - A Hole Diameter	Vent Outer Jacket Diameter	DIM - B Plate Length	DIM - C Plate Width
CCS04FS	6.4	6.3	20	20
CCS05FS	7.4	7.3	20	20
CCS06FS	8.4	8.3	20	20
CCS07FS	9.4	9.3	26	26
CCS08FS	10.4	10.3	26	26
CCS09FS	11.4	1.3	26	26
CCS10FS	12.4	12.3	26	26
CCS12FS	14.4	14.3	26	26
CCS14FS	16.4	16.3	26	26
CCS16FS	18.4	18.3	26	26
CCS18FS	20.4	20.3	32	32
CCS20FS	22.4	22.3	32	32
CCS22FS	24.4	24.3	32	32
CCS24FS	26.4	26.3	32	32
CCS26FS	28.4	28.3	36	36
CCS28FS	30.4	30.3	36	36
CCS30FS	32.4	32.3	40	40
CCS32FS	34.4	34.3	40	40

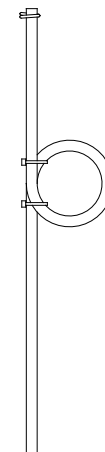


Condensate Drain Tube Kit — This kit contains a length of high temperature silicone rubber tubing, a clamp, and two cable ties. The silicone tubing is rated for 500°F, and is translucent to allow inspection of the P-trap. Larger diameter drains can be plumbed directly into a drain system.

Part Number:

7000TUBE
7000TUBE-10
7001TUBE

5 feet of 3/8" diameter tubing
10 feet of 3/8" diameter tubing
10 feet of 1/2" diameter tubing



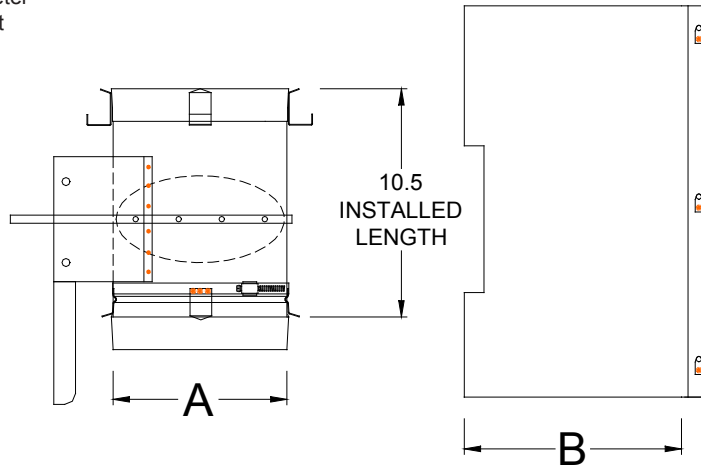
Saf-T Vent[®] CI 316

DOUBLE WALL 316L SPECIAL GAS VENT

Accessories:

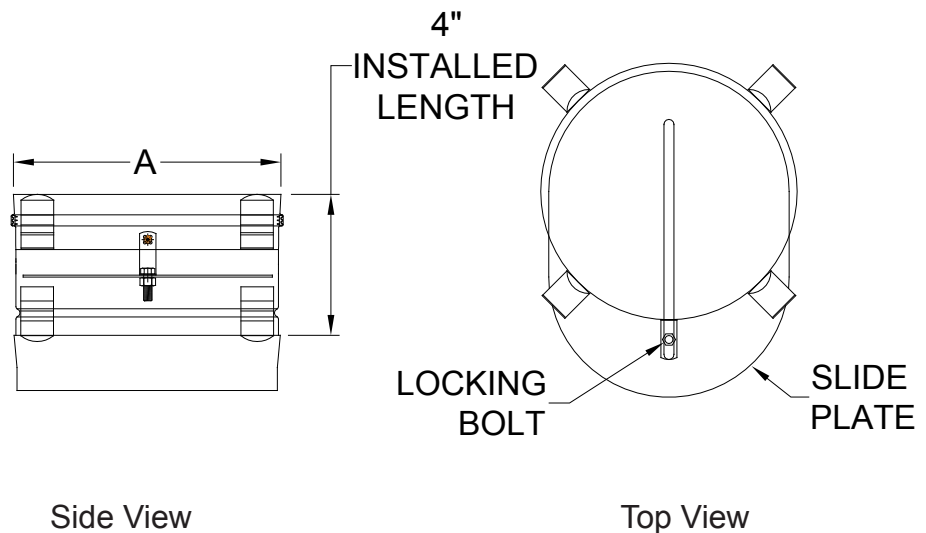
In-Line Damper Section — Use to adjust the flow in positive pressure applications. Can also be used to restrict back flow when the appliance is off. Each damper comes with an 18" long coupler, a locking strap, a rotating clamp, and a motor platform. The shaft is 3/8" diameter.

Part Number	DIM - A Nominal Inner Diameter	DIM-B Nominal Diameter Outer Jacket
CCA04DMP-316	4	6.3
CCA05DMP-316	5	7.3
CCA06DMP-316	6	8.3
CCA07DMP-316	7	9.3
CCA08DMP-316	8	10.3
CCA09DMP-316	9	11.3
CCA10DMP-316	10	12.3
CCA12DMP-316	12	14.3
CCA14DMP-316	14	16.3
CCA16DMP-316	16	18.3
CCA18DMP-316	18	20.3



Vent Flow Regulator — Use only in conjunction with an in-line or termination fan to balance the flow of the exhaust gases when inducing a draft.

Part Number	DIM - A Nominal Inner Diameter
CCA04BG-316	4
CCA05BG-316	5
CCA06BG-316	6
CCA07BG-316	7
CCA08BG-316	8
CCA09BG-316	9
CCA10BG-316	10
CCA12BG-316	12
CCA14BG-316	14



Vent Flow Regulator

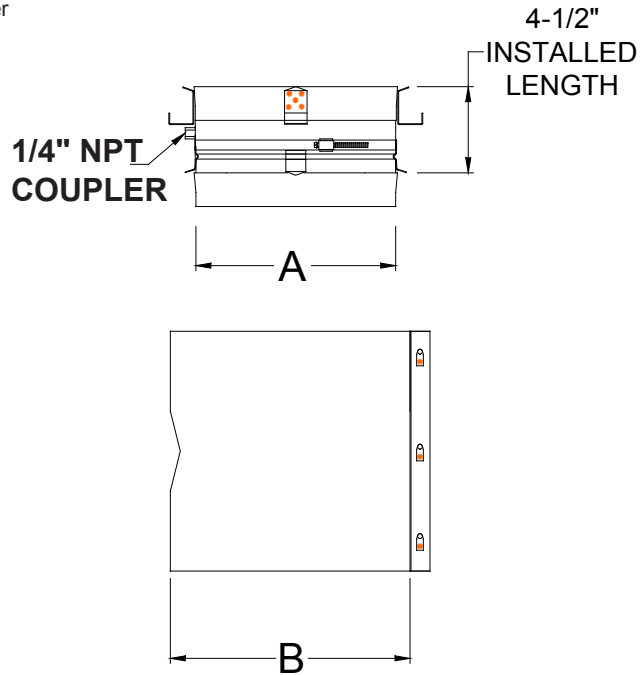
Saf-T Vent[®] CI 316

DOUBLE WALL 316L SPECIAL GAS VENT

Accessories:

In-Line Probe Section — Use to attach probes to the vent system by means of a 1/4" NPT female fitting. Can be used vertically or horizontally. Comes standard with a coupler made of 430 stainless steel with an outlet for the probe fitting, a 1/4" NPT plug, a locking strap and a rotating clamp for directional changes.

Part Number	DIM - A Nominal Inner Diameter	DIM - B Nominal Diameter Outer Jacket
CCA04PRB-316	4	6.3
CCA05PRB-316	5	7.3
CCA06PRB-316	6	8.3
CCA07PRB-316	7	9.3
CCA08PRB-316	8	10.3
CCA09PRB-316	9	11.3
CCA10PRB-316	10	12.3
CCA12PRB-316	12	14.3
CCA14PRB-316	14	16.3
CCA16PRB-316	6	18.3
CCA18PRB-316	18	20.3
CCA20PRB-316	20	22.3
CCA22PRB-316	22	24.3
CCA24PRB-316	24	26.3
CCA26PRB-316	26	28.3
CCA28PRB-316	28	30.3
CCA30PRB-316	30	32.3
CCA32PRB-316	32	34.3



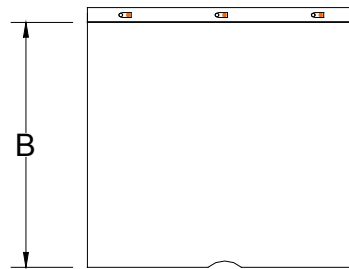
Saf-T Vent® CI 316

DOUBLE WALL 316L SPECIAL GAS VENT

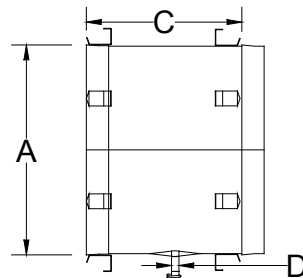
Accessories:

Horizontal/Vertical In-Line Drain Section — Use to drain away condensate from the vent system. The unique design of this part allows it to be installed in a horizontal, vertical or inclined orientation. Continuous horizontal runs in excess of 30 feet require a condensate drain. High temperature silicone tubing is available separately. The outer jacket consists of an 12" long coupler made of 430 stainless steel with an outlet for the drain and also comes standard with a locking strap and a rotating clamp.

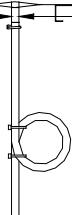
Part Number	DIM - A Nominal Diameter Inner Diameter	DIM - B Nominal Diameter Outer Jacket	DIM - C Installed Length	DIM - D Drain Diameter OD
CCA04DRN-316	4	6.3	4.5	0.5
CCA05DRN-316	5	7.3	4.5	0.5
CCA06DRN-316	6	8.3	4.5	0.5
CCA07DRN-316	7	9.3	4.5	0.5
CCA08DRN-316	8	10.3	4.5	0.5
CCA09DRN-316	9	11.3	4.5	0.5
CCA10DRN-316	10	12.3	4.5	0.5
CCA12DRN-316	12	14.3	4.5	0.5
CCA14DRN-316	14	16.3	4.5	0.5
CCA16DRN-316	16	18.3	4.5	0.5
CCA18DRN-316	18	20.3	4.5	0.5
CCA20DRN-316	20	22.3	4.5	0.5
CCA22DRN-316	22	24.3	4.5	0.5
CCA24DRN-316	24	26.3	4.5	0.5
CCA26DRN-316	26	28.3	4.5	0.5
CCA28DRN-316	28	30.3	4.5	0.5
CCA30DRN-316	30	32.3	4.5	0.5
CCA32DRN-316	32	34.3	4.5	0.5



Coupler (included)



In-Line Drain Section



Drain Tube Kit (sold separately)

Saf-T Vent® CI 316

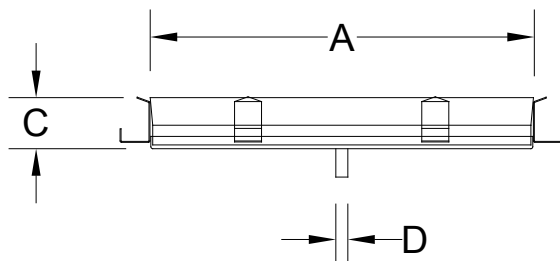
DOUBLE WALL 316L SPECIAL GAS VENT

Boot Tees & Covers:

Tee Cover with Drain Fitting — Use at the base of a Boot Tee to drain away condensate from a vent system. High temperature silicone tubing is available separately. The drain cover comes standard with a locking strap and finish coupler. Other drain options are available on larger diameters upon request, contact Heatfab's Engineering Team.

Part Number	DIM - A Nominal Diameter Inner Diameter	DIM - B Nominal Diameter Outer Jacket	DIM - C Height	DIM - D Drain Diameter OD
CCA04DCV-316	4	6.3	1.62	0.375
CCA05DCV-316	5	7.3	1.62	0.375
CCA06DCV-316	6	8.3	1.62	0.375
CCA07DCV-316	7	9.3	1.62	0.375
CCA08DCV-316	8	10.3	1.62	0.375
CCA09DCV-316	9	11.3	1.62	0.5
CCA10DCV-316	10	12.3	1.62	0.5
CCA12DCV-316	12	14.3	1.62	0.5
CCA14DCV-316	14	16.3	1.62	0.5
CCA16DCV-316	16	18.3	1.62	0.5
CCA18DCV-316	18	20.3	1.62	0.5
CCA20DCV-316	20	22.3	1.62	0.5
CCA22DCV-316	22	24.3	1.62	0.5
CCA24DCV-316	24	26.3	1.62	0.5*
CCA26DCV-316	26	28.3	1.62	0.5*
CCA28DCV-316	28	30.3	1.62	0.5*
CCA30DCV-316	30	32.3	1.62	0.5*
CCA32DCV-316	32	34.3	1.62	0.5*

*1/2" female coupler



Drain Cover

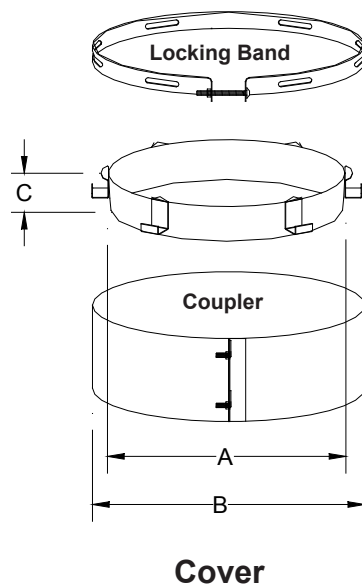
Saf-T Vent® CI 316

DOUBLE WALL 316L SPECIAL GAS VENT

Boot Tees & Covers:

Tee Cover— Use to cap off the male end of a Boot Tee body that is installed horizontally. The tee cover / boot tee combination allows for the future addition of appliances to a common-vent system. The cover comes with a locking strap and a finish coupler that is made of the same 430 stainless steel as the outer jacket to give a finished look to the installation.

Part Number	DIM - A Nominal Inner Diameter	DIM - B Nominal Diameter Outer Jacket	DIM - C Height
CCA04CV-316	4	6.3	1.62
CCA05CV-316	5	7.3	1.62
CCA06CV-316	6	8.3	1.62
CCA07CV-316	7	9.3	1.62
CCA08CV-316	8	10.3	1.62
CCA09CV-316	9	11.3	1.62
CCA10CV-316	10	12.3	1.62
CCA12CV-316	12	14.3	1.62
CCA14CV-316	14	16.3	1.62
CCA16CV-316	16	18.3	1.62
CCA18CV-316	18	20.3	1.62
CCA20CV-316	20	22.3	1.62
CCA22CV-316	22	24.3	1.62
CCA24CV-316	24	26.3	1.62
CCA26CV-316	26	28.3	1.62
CCA28CV-316	28	30.3	1.62
CCA30CV-316	30	32.3	1.62
CCA32CV-316	32	34.3	1.62



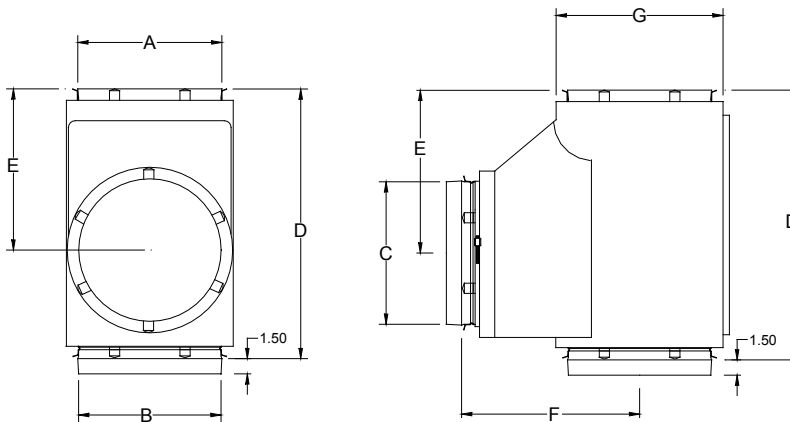
Saf-T Vent® CI 316

DOUBLE WALL 316L SPECIAL GAS VENT

Boot Tees:

Boot Tee — Use vertically or horizontally to add appliances into a common-vent system. When installed horizontally, the male end of the tee body may be capped off with a tee cover to allow for future appliances. When used in conjunction with a drain tee cover, the boot tee will effectively transition a vent system from a horizontal to a vertical orientation while allowing for proper condensate drainage. The pressure drop through the tap for this fitting is equivalent to 15 feet of horizontal vent. Both inlet connections rotate to accommodate direction changes. Each Boot Tee comes standard with a coupler, one joint locking strap and two rotating clamps.

Part Number	DIM - A Out	DIM - B In	DIM - C Tap	DIM - D Installed Length	DIM - E Centerline of Tap to Outlet	DIM - F Installed from Tap to Outlet Centerline	DIM - G Nominal Diameter Outer Jacket
CCA04BT-316	4	4	4	16.5	11	12.5	6.3
CCA05BT-316	5	5	5	17.5	11.5	13	7.3
CCA06BT-316	6	6	6	18.5	12	13.5	8.3
CCA07BT-316	7	7	7	19.5	12.5	14	9.3
CCA08BT-316	8	8	8	20.5	13	14.5	10.3
CCA09BT-316	9	9	9	21.5	13.5	15	11.3
CCA10BT-316	10	10	10	22.5	14	15.5	12.3
CCA12BT-316	12	12	12	24.5	15	16.5	14.3
CCA14BT-316	14	14	14	26.5	16	17.5	16.3
CCA16BT-316	16	16	16	28.5	17	18.5	18.3
CCA18BT-316	18	18	18	30.5	18	19.5	20.3
CCA20BT-316	20	20	20	32.5	19	20.5	22.3
CCA22BT-316	22	22	22	34.5	20	21.5	24.3
CCA24BT-316	24	24	24	36.5	21	22.5	26.3
CCA26BT-316	26	26	26	38.5	22	23.5	28.3
CCA28BT-316	28	28	28	40.5	23	24.5	30.3
CCA30BT-316	30	30	30	42.5	24	25.5	32.3
CCA32BT-316	32	32	32	44.5	25	26.5	34.3



Boot Tee

*Also available as a Sloped Boot Tee to allow for easier upward pitch in horizontal runs; p/nSBT-316

**Lateral 45 deg Tees & Double Lateral Tees (aka Wyes and Double Wyes) are also available upon special request

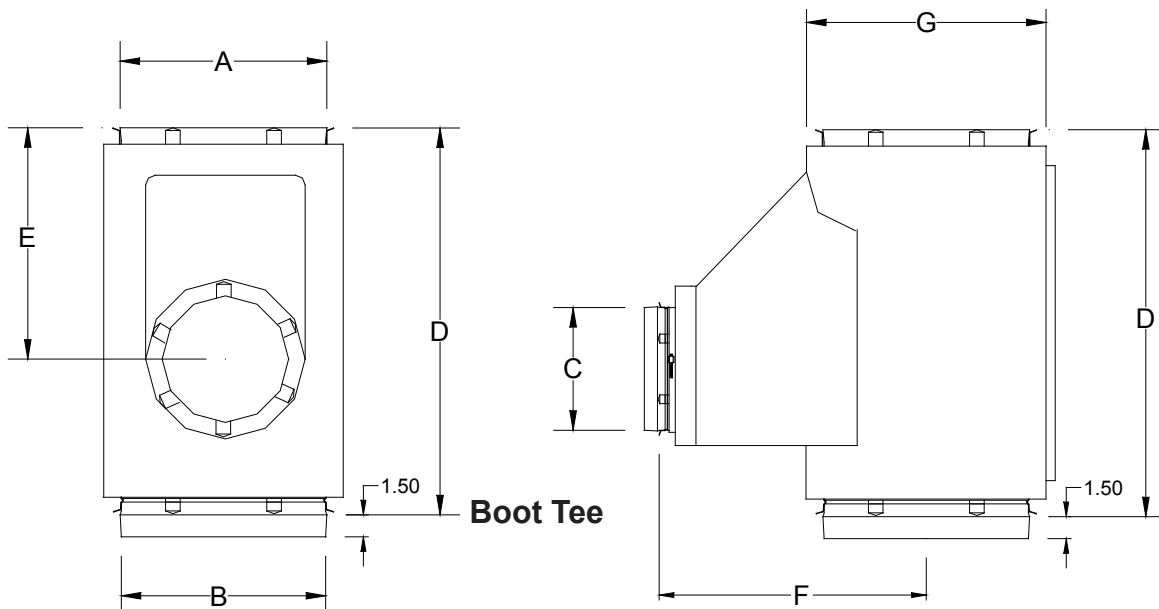
Saf-T Vent® CI 316

DOUBLE WALL 316L SPECIAL GAS VENT

Boot Tees with Reducing Tap:

Boot Tee — Use vertically or horizontally to add appliances into a common-vent system. When installed horizontally, the male end of the tee body may be capped off with a tee cover to allow for future appliances. When used in conjunction with a drain tee cover, the boot tee will effectively transition a vent system from a horizontal to a vertical orientation while allowing for proper condensate drainage. The pressure drop through the tap for this fitting is equivalent to 15 feet of horizontal vent. Both inlet connections rotate to accommodate direction changes. Each boot tee comes standard with a coupler, one joint locking strap, and two rotating clamps. Other diameter configurations may be available. Please contact Heatfab's Engineering Team to discuss your special needs.

Part Number	DIM - A Out Nominal Vent Pipe	DIM - B In Nominal Vent Pipe	DIM - C Tap	DIM - D Installed Length	DIM - E Centerline of Tap to Outlet	DIM - F Installed from Tap to Outlet Centerline	DIM - G Nominal Diameter Outer Jacket
CCA08BT06-316	8	8	6	18.5	12.0	14.5	10.3
CCA10BT06-316	10	10	6	18.5	12.0	15.5	12.3
CCA10BT08-316	10	10	8	20.5	13.0	15.5	12.3
CCA12BT06-316	12	12	6	18.5	12.0	16.5	14.3
CCA12BT08-316	12	12	8	20.5	13.0	16.5	14.3
CCA12BT10-316	12	12	10	22.5	14.0	16.5	14.3
CCA14BT06-316	14	14	6	18.5	12.0	17.5	16.3
CCA14BT08-316	14	14	8	20.5	13.0	17.5	16.3
CCA14BT10-316	14	14	10	22.5	14.0	17.5	16.3
CCA16BT14 -316	16	16	14	26.5	16.0	18.5	18.3
CCA18BT16-316	18	18	16	28.5	17.0	19.5	20.3
CCA20BT18 -316	20	20	18	30.5	18.0	20.5	22.3
CCA22BT10-316	22	22	10	22.5	14.0	21.5	24.3
CCA24BT12-316	24	24	12	24.5	15.0	22.5	26.3



*Also available as a Sloped Boot Tee to allow for easier upward pitch in horizontal runs; p/nSBT-316

**Lateral 45 deg Tees & Double Lateral Tees (aka Wyes and Double Wyes) are also available upon special request

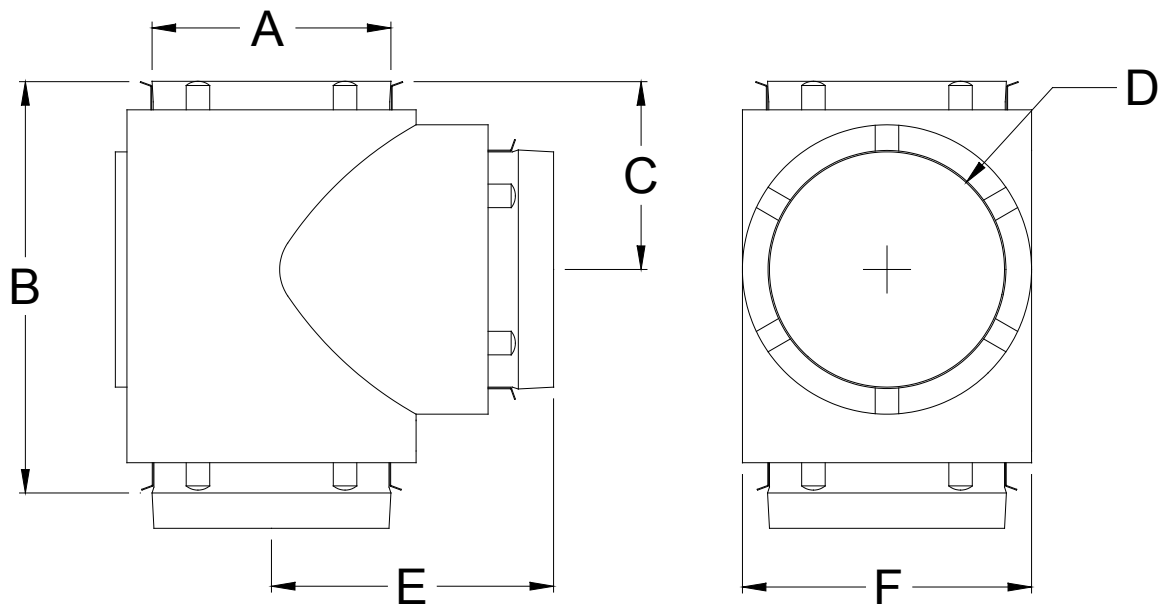
Saf-T Vent[®] CI 316

DOUBLE WALL 316L SPECIAL GAS VENT

Square Tees:

Square Tee — Due to the significant pressure drop of this fitting, Heat-fab recommends it be used as an inspection port only. Use vertically or horizontally to add appliances into a common-vent system. When installed horizontally, the male end of the tee body may be capped off with a tee cover to allow for future appliances. When used in conjunction with a drain tee cover, the square tee will effectively transition a vent system from a horizontal to a vertical orientation while allowing for proper condensate drainage. The pressure drop through the tap for this fitting is equivalent to 45 feet of horizontal vent. Both inlet connections rotate to accommodate direction changes. Each Square Tee comes standard with a coupler, one joint locking strap, and two rotating clamps.

Part Number	DIM - A Nominal Diameter Inner vent	DIM - B Installed Length	DIM - C Centerline of Tap to Inlet	DIM - D Tap ID	DIM - E Centerline to Edge of Tap	DIM - F Nominal Diameter OuterJacket
CCA04ST-316	4	11.5	5	4	6	6.3
CCA05ST-316	5	12.5	5.5	5	7	7.3
CCA06ST-316	6	13.5	6	6	8	8.3
CCA07ST-316	7	14.5	6.5	7	9	9.3
CCA08ST-316	8	15.5	7	8	10	10.3
CCA09ST-316	9	16.5	7.5	9	11	11.3
CCA10ST-316	10	17.5	8	10	12	12.3
CCA12ST-316	12	19.5	9	12	14	14.3
CCA14ST-316	14	21.5	10	14	16	16.3
CCA16ST-316	16	23.5	11	16	18	18.3
CCA18ST-316	18	25.5	12	18	20	20.3



Square Tee

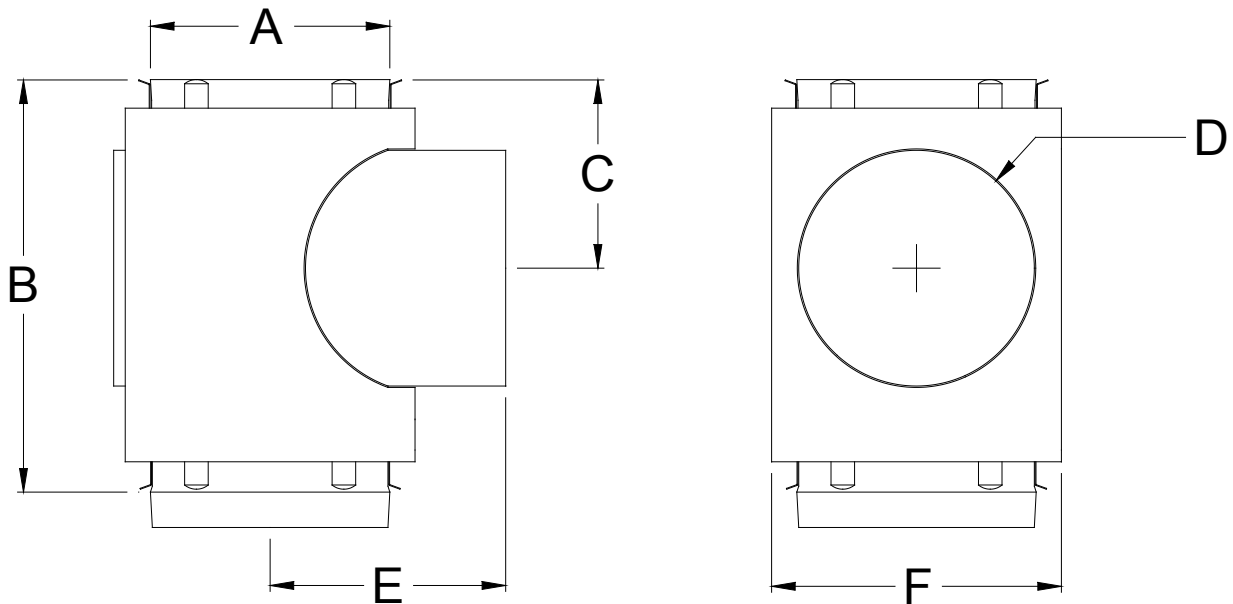
Saf-T Vent® CI 316

DOUBLE WALL 316L SPECIAL GAS VENT

Barometric Tees:

Barometric Tee — Use to attach a standard barometric damper (supplied by others) to the vent system. Use only if recommended by the appliance manufacturer and a qualified designer of vent systems. Each barometric tee comes standard with a coupler and a joint locking strap.

Part Number	DIM - A Nominal Diameter Inner vent	DIM - B Installed Length	DIM - C Centerline of Tap to Inlet	DIM - D Tap ID	DIM - E Centerline to Edge of Tap	DIM - F Nominal Diameter OuterJacket
CCA04BAR-316	4	11.5	5.0	4	5	6.3
CCA05BAR-316	5	12.5	5.5	5	5	7.3
CCA06BAR-316	6	13.5	6.0	6	6	8.3
CCA07BAR-316	7	14.5	6.5	7	7	9.3
CCA08BAR-316	8	15.5	7.0	8	8	10.3
CCA09BAR-316	9	16.5	7.5	9	9	11.3
CCA10BAR-316	10	17.5	8.0	10	10	12.3
CCA12BAR-316	12	19.5	9.0	12	12	14.3
CCA14BAR-316	14	21.5	10.0	14	14	16.3
CCA16BAR-316	16	23.5	11.0	16	16	18.3
CCA18BAR-316	18	25.5	12.0	18	18	20.3



Barometric Tee

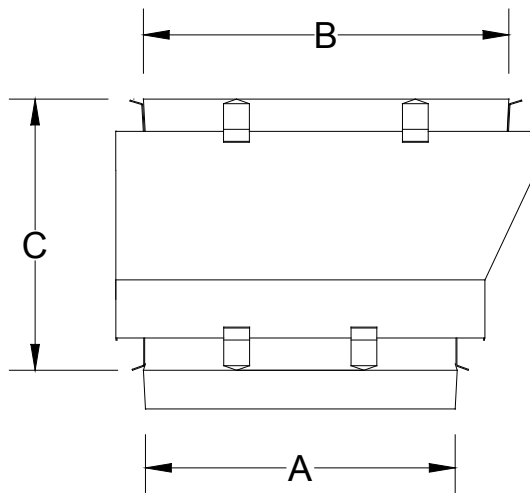
Saf-T Vent® CI 316

DOUBLE WALL 316L SPECIAL GAS VENT

Increasers:

Increaser — Use to upsize a vent system. The term “increaser” is based on an increase in vent diameter in the direction of flue gas motion. Increasers are eccentric to allow for proper drainage of condensate when installed horizontally. Each increaser comes standard with a coupler that will fit the outlet diameter. Other diameter configurations may be available; please contact Heat-fab’s Engineering Team to discuss your special needs.

Part Number	DIM - A Inlet Diameter	DIM - B Outlet Diameter	DIM - C Installed Length
CCA04NCR06-316	4	6	10.5
CCA05NCR07-316	5	7	10.5
CCA06NCR08-316	6	8	10.5
CCA07NCR09-316	7	9	10.5
CCA08NCR10-316	8	10	10.5
CCA09NCR10-316	9	10	10.5
CCA10NCR12-316	10	12	10.5
CCA12NCR14-316	12	14	10.5
CCA14NCR16-316	14	16	10.5
CCA16NCR18-316	16	18	10.5
CCA18NCR20-316	18	20	10.5
CCA20NCR22-316	20	22	10.5
CCA22NCR24-316	22	24	10.5
CCA24NCR26-316	24	26	10.5
CCA26NCR28-316	26	28	10.5
CCA28NCR30-316	28	30	10.5
CCA30NCR32-316	30	32	10.5



Increaser

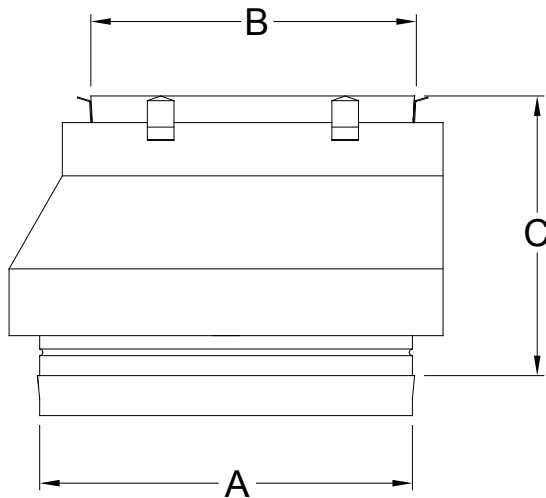
Saf-T Vent[®] CI 316

DOUBLE WALL 316L SPECIAL GAS VENT

Reducers:

Reducer — Use to downsize the vent system when adding a fan to the system. The term “reducer” is based on an reduction in vent diameter in the direction of flue gas motion. Reducers are eccentric to allow for proper drainage of condensate when installed horizontally. Each reducer comes standard with a coupler that will fit the outlet diameter. Other diameter configurations may be available; please contact Heat-fab’s Engineering Team to discuss your special needs.

Part Number	DIM - A	DIM - B	DIM - C
	Inlet Diameter	Outlet Diameter	Installed Length
CCA06RDC04-316	6	4	10.5
CCA08RDC06-316	8	6	10.5
CCA10RDC08-316	10	8	10.5
CCA12RDC10-316	12	10	10.5
CCA14RDC12-316	14	12	10.5
CCA16RDC14-316	16	14	10.5
CCA18RDC16-316	18	16	10.5



Reducer

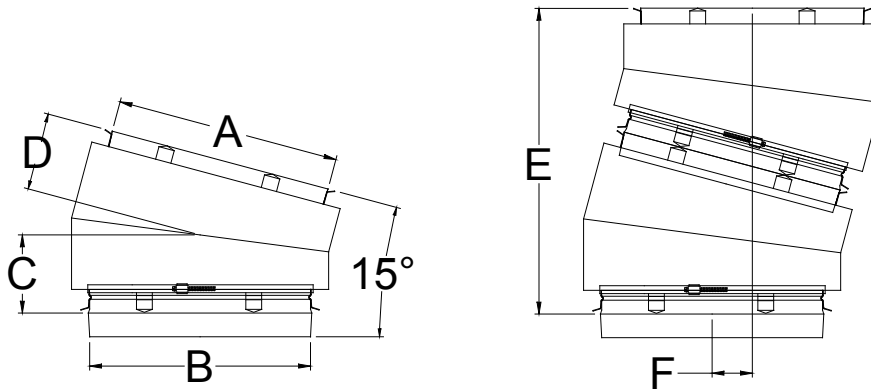
Saf-T Vent[®] CI 316

DOUBLE WALL 316L SPECIAL GAS VENT

Elbows:

15° Elbow— Use to achieve offsets or changes in the direction of the vent system. The degree of these welded seam elbows is not adjustable. The pressure drop for this fitting is equivalent to 3 feet of horizontal vent. The inlet connection rotates to accommodate direction changes. Each elbow comes standard with a coupler, joint locking strap, and a rotating clamp.

Part Number	DIM - A Nominal Diameter Inner vent	DIM - B Nominal Diameter Outer Jacket	DIM - C Rise	DIM - D Run	DIM - E Combined Installed Height	DIM - F Offset
CCA04E15-316	4	6.3	4.3	4.3	16.7	2.3
CCA05E15-316	5	7.3	4.4	4.4	16.9	2.3
CCA06E15-316	6	8.3	4.4	4.4	17.2	2.3
CCA07E15-316	7	9.3	4.5	4.5	17.5	2.3
CCA08E15-316	8	10.3	4.5	4.5	17.8	2.4
CCA09E15-316	9	11.3	4.6	4.6	18.1	2.4
CCA10E15-316	10	12.3	4.7	4.7	18.3	2.4
CCA12E15-316	12	14.3	4.8	4.8	18.8	2.5
CCA14E15-316	14	16.3	4.9	4.9	19.3	2.6
CCA16E15-316	16	18.3	5.0	5.0	19.9	2.6
CCA18E15-316	18	20.3	5.2	5.2	20.4	2.7
CCA20E15-316	20	22.3	5.3	5.3	20.9	2.8
CCA22E15-316	22	24.3	5.4	5.4	21.4	2.8
CCA24E15-316	24	26.3	5.6	5.6	21.9	2.9
CCA26E15-316	26	28.3	5.7	5.7	22.5	3.0
CCA28E15-316	28	30.3	5.8	5.8	23.0	3.1
CCA30E15-316	30	32.3	6.0	6.0	23.5	3.1
CCA32E15-316	32	34.3	6.1	6.1	24.0	3.2



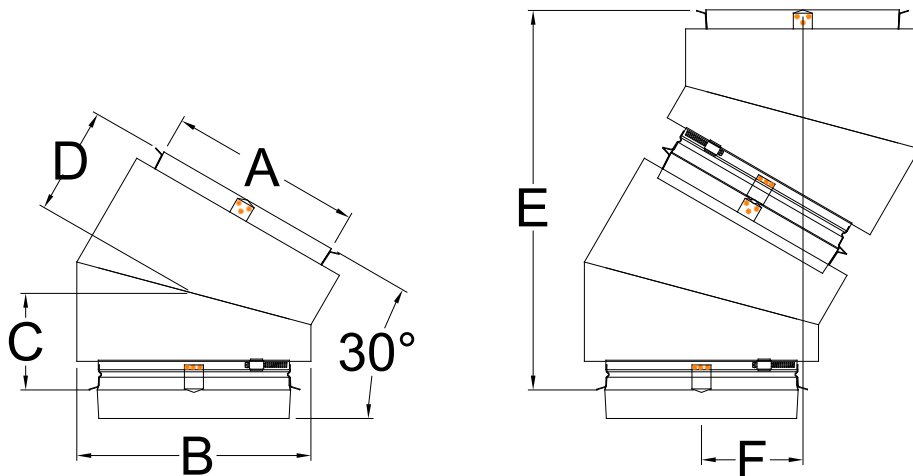
Saf-T Vent[®] CI 316

DOUBLE WALL 316L SPECIAL GAS VENT

Elbows:

30° Elbow— Use to achieve offsets or changes in the direction of the vent system. The degree of these welded seam elbows is not adjustable. The pressure drop for this fitting is equivalent to 5 feet of horizontal vent. The inlet connection rotates to accommodate direction changes. Each elbow comes standard with a coupler, joint locking strap, and a rotating clamp.

Part Number	DIM - A Nominal Diameter Inner vent	DIM - B Nominal Diameter Outer Jacket	DIM - C Rise	DIM - D Run	DIM - E Combined Installed Height	DIM - F Offset
CCA04E30-316	4	6.3	4.3	4.8	17	4.5
CCA05E30-316	5	7.3	4.4	5.0	17.3	4.6
CCA06E30-316	6	8.3	4.5	5.1	18	4.8
CCA07E30-316	7	9.3	4.7	5.2	18.3	5.0
CCA08E30-316	8	10.3	4.8	5.3	19	5.0
CCA09E30-316	9	11.3	4.9	5.5	19.3	5.2
CCA10E30-316	10	12.3	5.0	5.6	20	5.3
CCA12E30-316	12	14.3	5.3	5.9	21	5.6
CCA14E30-316	14	16.3	5.6	6.1	22	5.9
CCA16E30-316	16	18.3	5.8	6.4	23	6.1
CCA18E30-316	18	20.3	6.1	6.7	24	6.4
CCA20E30-316	20	22.3	6.4	7.0	25	6.7
CCA22E30-316	22	24.3	6.6	7.2	26	7.0
CCA24E30-316	24	26.3	6.9	7.5	27	7.2
CCA26E30-316	26	28.3	7.2	7.8	28	7.5
CCA28E30-316	28	30.3	7.4	8.0	29	7.7
CCA30E30-316	30	32.3	7.7	8.3	30	8.0
CCA32E30-316	32	34.3	8.0	8.6	31	8.3



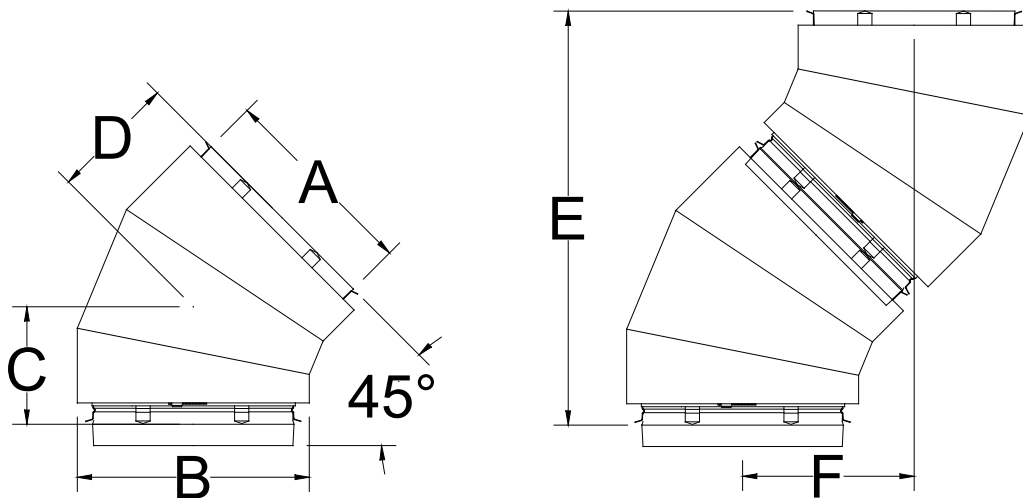
Saf-T Vent[®] CI 316

DOUBLE WALL 316L SPECIAL GAS VENT

Elbows:

45° Elbow— Use to achieve offsets or changes in the direction of the vent system. The degree of these welded seam elbows is not adjustable. The pressure drop for this fitting is equivalent to 8 feet of horizontal vent. The inlet connection rotates to accommodate direction changes. Each elbow comes standard with a coupler, joint locking strap, and a rotating clamp.

Part Number	DIM - A Nominal Diameter Inner vent	DIM - B Nominal Diameter Outer Jacket	DIM - C Rise	DIM - D Run	DIM - E Combined Installed Height	DIM - F Offset
CCA04E45-316	4	6.3	6.2	6.7	22.1	9.2
CCA05E45-316	5	7.3	6.4	7.0	23.3	9.4
CCA06E45-316	6	8.3	6.6	7.2	23.6	9.7
CCA07E45-316	7	9.3	6.8	7.4	24.3	10.0
CCA08E45-316	8	10.3	7.0	7.6	24.9	10.3
CCA09E45-316	9	11.3	7.2	7.8	25.2	10.6
CCA10E45-316	10	12.3	7.4	8.0	26.5	10.9
CCA12E45-316	12	14.3	7.8	8.4	27.7	1.6
CCA14E45-316	14	16.3	8.0	8.8	29.0	12.0
CCA16E45-316	16	18.3	8.7	9.3	30.4	12.6
CCA18E45-316	18	20.3	9.1	9.7	32.0	13.3
CCA20E45-316	20	22.3	9.5	10.1	33.3	13.8
CCA22E45-316	22	24.3	9.9	10.5	34.8	14.4
CCA24E45-316	24	26.3	10.3	10.9	36.3	15.1
CCA26E45-316	26	28.3	11.1	11.1	37.5	15.6
CCA28E45-316	28	30.3	11.2	11.7	39.1	16.2
CCA30E45-316	30	32.3	11.6	12.1	40.4	16.8
CCA32E45-316	32	34.3	12.0	12.6	41.9	17.3



Saf-T Vent[®] CI 316

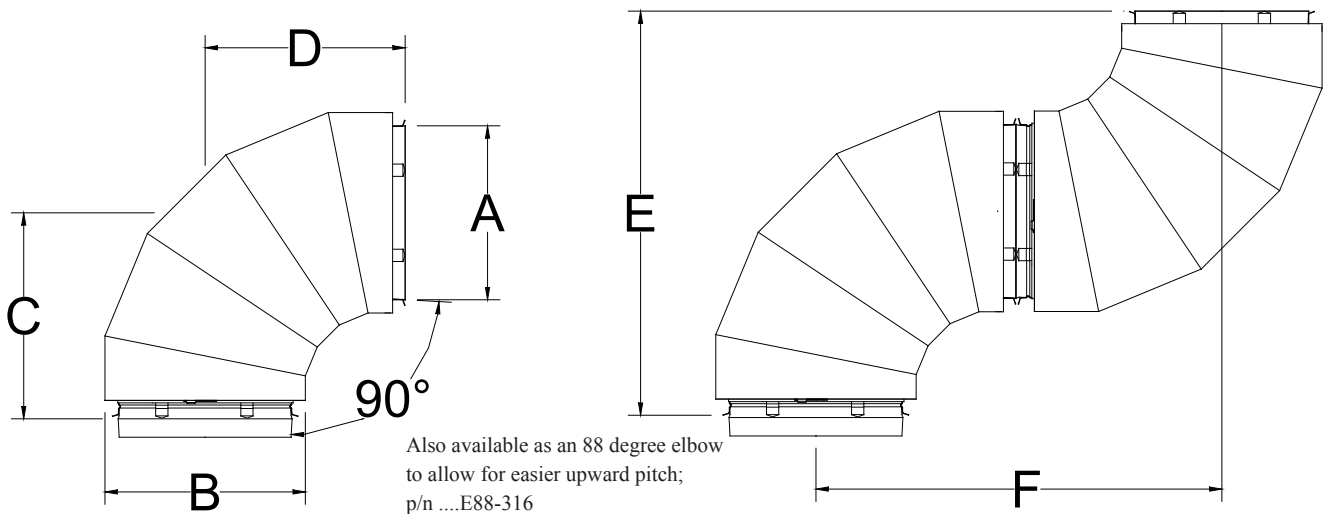
DOUBLE WALL 316L SPECIAL GAS VENT

Elbows:

90° Elbow— Use to achieve offsets or changes in the direction of the vent system. The degree of these welded seam elbows is not adjustable. The pressure drop for this fitting is equivalent to 15 feet of horizontal vent. The inlet connection rotates to accommodate direction changes. Each elbow comes standard with a coupler, joint locking strap, and a rotating clamp. For diameters above 24" use two 45° elbows.

Part Number	DIM - A Nominal Diameter Inner vent	DIM - B Nominal Diameter Outer Jacket	DIM - C Rise	DIM - D Run	DIM - E Combined Installed Height	DIM - F Offset
CCA04E90-316	4	6.3	11.7	11.3	23	23
CCA05E90-316	5	7.3	12.8	12.3	25	25
CCA06E90-316	6	8.3	12.8	12.3	25	25
CCA07E90-316	7	9.3	13.0	13.0	26	26
CCA08E90-316	8	10.3	13.8	13.3	27	27
CCA09E90-316	9	11.3	12.5*	12.0*	24	24
CCA10E90-316	10	12.3	12.5*	12.0*	24	24
CCA12E90-316	12	14.3	15.8	15.3	31	31
CCA14E90-316	14	16.3	16.8	16.3	33	33
CCA16E90-316	16	18.3	17.8	17.3	35	35
CCA18E90-316	18	20.3	18.8	18.3	37	37
CCA20E90-316	20	22.3	19.8	19.3	39	39
CCA22E90-316	22	24.3	20.8	20.3	41	41
CCA24E90-316	24	26.3	21.8	21.3	43	43

* These sizes don't follow sequence of dimensions



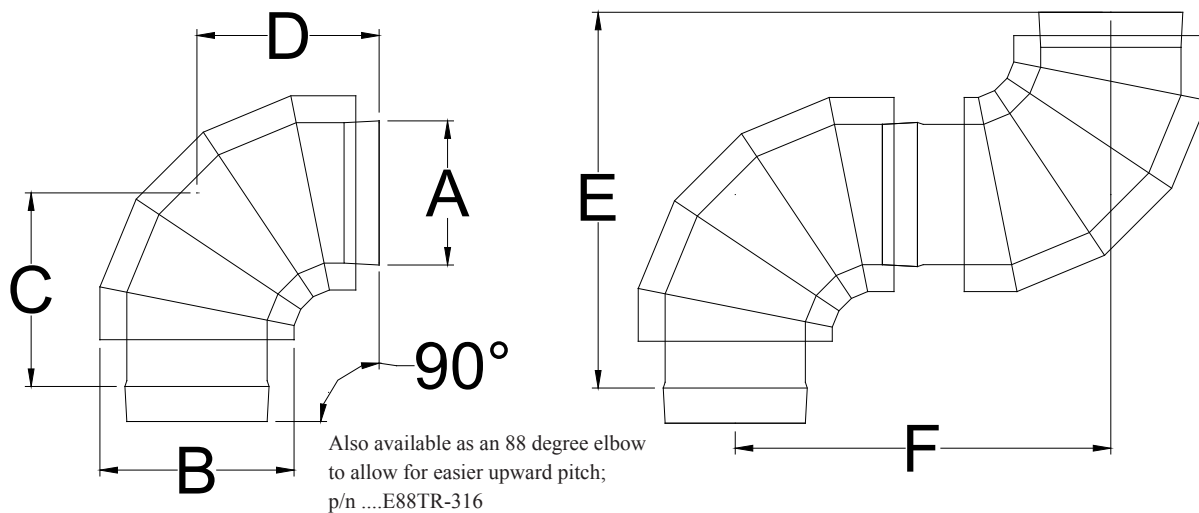
Saf-T Vent[®] CI 316

DOUBLE WALL 316L SPECIAL GAS VENT

Elbows:

Tight Radius 90° Elbow— Use to achieve offsets or changes in the direction of the vent system where a conventional long radius 90 degree elbow will not fit. The degree of these welded seam elbows is not adjustable. The pressure drop for this fitting is equivalent to 15 feet of horizontal vent. The inlet connection rotates to accommodate direction changes. Each elbow comes standard with a coupler, joint locking strap, and a rotating clamp.

Part Number	DIM - A Nominal Diamete Inner vent	DIM - B Nominal Diameter Outer Jacket	DIM - C Rise	DIM - D Run	DIM - E Combined Installed Height	DIM - F Offset
CCA04E90TR-316	4	6.3	7.3	6.8	14	14
CCA05E90TR-316	5	7.3	7.8	7.5	15	15
CCA06E90TR-316	6	8.3	8.3	7.8	16	16
CCA07E90TR-316	7	9.3	9.3	8.3	17	17
CCA08E90TR-316	8	10.3	9.3	8.8	18	18
CCA09E90TR-316	9	11.3	9.8	9.3	19	19
CCA10E90TR-316	10	12.3	10.3	9.8	20	20



Saf-T Vent[®] CI 316

DOUBLE WALL 316L SPECIAL GAS VENT

Straight Lengths:

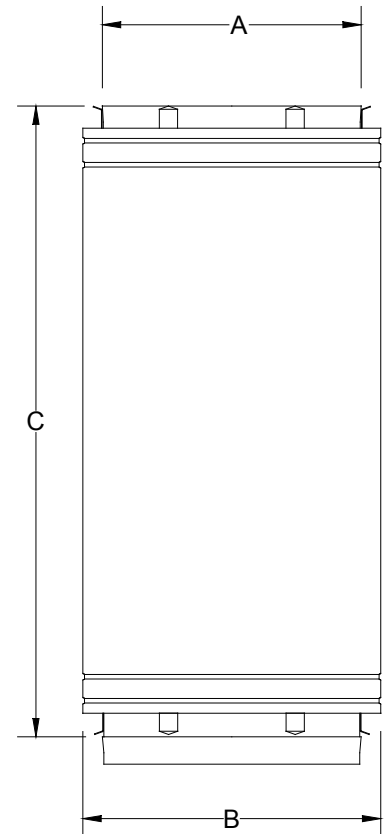
Horizontal and Vertical —When used horizontally, install vent with a continuous pitch of 1/4" per foot, sloping upward toward the termination, draining back toward the appliance or inline drain. It is important to provide adequate support to a Saf-T Vent CI 316 system, refer to installation instructions for support specifications. Each section comes with a coupler and a joint locking strap.

6" Length

Part Number	DIM - A Nominal Vent Pipe Diameter	DIM - B Nominal Outer Jacket Diameter	DIM - C Installed Length
CCA04L6-316	4	6.3	4.5
CCA05L6-316	5	7.3	4.5
CCA06L6-316	6	8.3	4.5
CCA07L6-316	7	9.3	4.5
CCA08L6-316	8	10.3	4.5
CCA09L6-316	9	11.3	4.5
CCA10L6-316	10	12.3	4.5
CCA12L6-316	12	14.3	4.5
CCA14L6-316	14	16.3	4.5
CCA16L6-316	16	18.3	4.5
CCA18L6-316	18	20.3	4.5
CCA20L6-316	20	22.3	4.5
CCA22L6-316	22	24.3	4.5
CCA24L6-316	24	26.3	4.5
CCA26L6-316	26	28.3	4.5
CCA28L6-316	28	30.3	4.5
CCA30L6-316	30	32.3	4.5
CCA32L6-316	32	34.3	4.5

9" Length

CCA04L9-316	4	6.3	7.5
CCA05L9-316	5	7.3	7.5
CCA06L9-316	6	8.3	7.5
CCA07L9-316	7	9.3	7.5
CCA08L9-316	8	10.3	7.5
CCA09L9-316	9	11.3	7.5
CCA10L9-316	10	12.3	7.5
CCA12L9-316	12	14.3	7.5
CCA14L9-316	14	16.3	7.5
CCA16L9-316	16	18.3	7.5
CCA18L9-316	18	20.3	7.5
CCA20L9-316	20	22.3	7.5
CCA22L9-316	22	24.3	7.5
CCA24L9-316	24	26.3	7.5
CCA26L9-316	26	28.3	7.5
CCA28L9-316	28	30.3	7.5
CCA30L9-316	30	32.3	7.5
CCA32L9-316	32	34.3	7.5



Saf-T Vent® CI 316

DOUBLE WALL 316L SPECIAL GAS VENT

Straight Lengths:

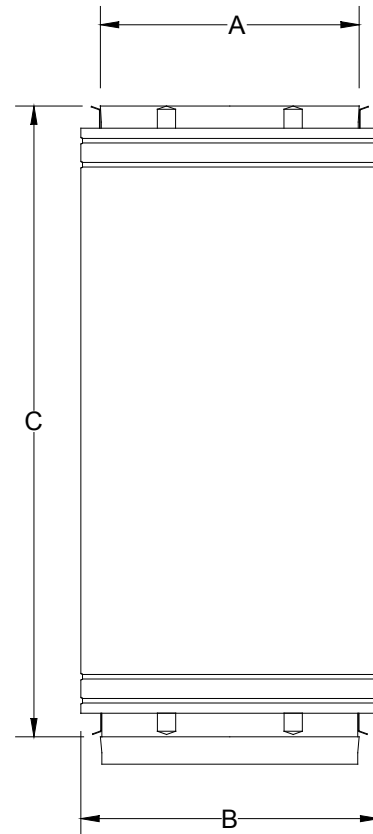
Horizontal and Vertical —When used horizontally, install vent with a continuous pitch of 1/4" per foot, sloping upward toward the termination, draining back toward the appliance or inline drain. It is important to provide adequate support to a Saf-T Vent CI 316 system, refer to installation instructions for support specifications. Each section comes with a coupler and a joint locking strap.

12" Length

Part Number	DIM - A Nominal Vent Pipe Diameter	DIM - B Nominal Outer Jacket Diameter	DIM - C Installed Length
CCA04L12-316	4	6.3	10.5
CCA05L12-316	5	7.3	10.5
CCA06L12-316	6	8.3	10.5
CCA07L12-316	7	9.3	10.5
CCA08L12-316	8	10.3	10.5
CCA09L12-316	9	11.3	10.5
CCA10L12-316	10	12.3	10.5
CCA12L12-316	12	14.3	10.5
CCA14L12-316	14	16.3	10.5
CCA16L12-316	16	18.3	10.5
CCA18L12-316	18	20.3	10.5
CCA20L12-316	20	22.3	10.5
CCA22L12-316	22	24.3	10.5
CCA24L12-316	24	26.3	10.5
CCA26L12-316	26	28.3	10.5
CCA28L12-316	28	30.3	10.5
CCA30L12-316	30	32.3	10.5
CCA32L12-316	32	34.3	10.5

18" Length

CCA04L18-316	4	6.3	16.5
CCA05L18-316	5	7.3	16.5
CCA06L18-316	6	8.3	16.5
CCA07L18-316	7	9.3	16.5
CCA08L18-316	8	10.3	16.5
CCA09L18-316	9	11.3	16.5
CCA10L18-316	10	12.3	16.5
CCA12L18-316	12	14.3	16.5
CCA14L18-316	14	16.3	16.5
CCA16L18-316	16	18.3	16.5
CCA18L18-316	18	20.3	16.5
CCA20L18-316	20	22.3	16.5
CCA22L18-316	22	24.3	16.5
CCA24L18-316	24	26.3	16.5
CCA26L18-316	26	28.3	16.5
CCA28L18-316	28	30.3	16.5
CCA30L18-316	30	32.3	16.5
CCA32L18-316	32	34.3	16.5



Saf-T Vent[®] CI 316

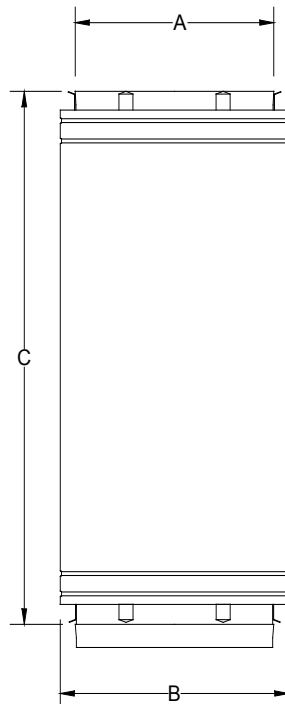
DOUBLE WALL 316L SPECIAL GAS VENT

Straight Lengths:

Horizontal and Vertical —When used horizontally, install vent with a continuous pitch of 1/4" per foot, sloping upward toward the termination, draining back toward the appliance or inline drain. It is important to provide adequate support to a Saf-T Vent CI 316 system, refer to installation instructions for support specifications. Each section comes with a coupler and a joint locking strap.

24", 36", 48" Length

Part Number	DIM - A Nominal Vent Pipe Diameter	DIM - B Nominal Outer Jacket Diameter	DIM - C Installed Length		
			xx = 24	xx = 36	xx = 48
CCA04Lxx-316	4	6.3	22.5	34.5	46.5
CCA05Lxx-316	5	7.3	22.5	34.5	46.5
CCA06Lxx-316	6	8.3	22.5	34.5	46.5
CCA07Lxx-316	7	9.3	22.5	34.5	46.5
CCA08Lxx-316	8	10.3	22.5	34.5	46.5
CCA09Lxx-316	9	11.3	22.5	34.5	46.5
CCA10Lxx-316	10	12.3	22.5	34.5	46.5
CCA12Lxx-316	12	14.3	22.5	34.5	46.5
CCA14Lxx-316	14	16.3	22.5	34.5	46.5
CCA16Lxx-316	16	18.3	22.5	34.5	46.5
CCA18Lxx-316	18	20.3	22.5	34.5	n/a
CCA20Lxx-316	20	22.3	22.5	34.5	n/a
CCA22Lxx-316	22	24.3	22.5	34.5	n/a
CCA24Lxx-316	24	26.3	22.5	34.5	n/a
CCA26Lxx-316	26	28.3	22.5	34.5	n/a
CCA28Lxx-316	28	30.3	22.5	34.5	n/a
CCA30Lxx-316	30	32.3	22.5	34.5	n/a
CCA32Lxx-316	32	34.3	22.5	34.5	n/a



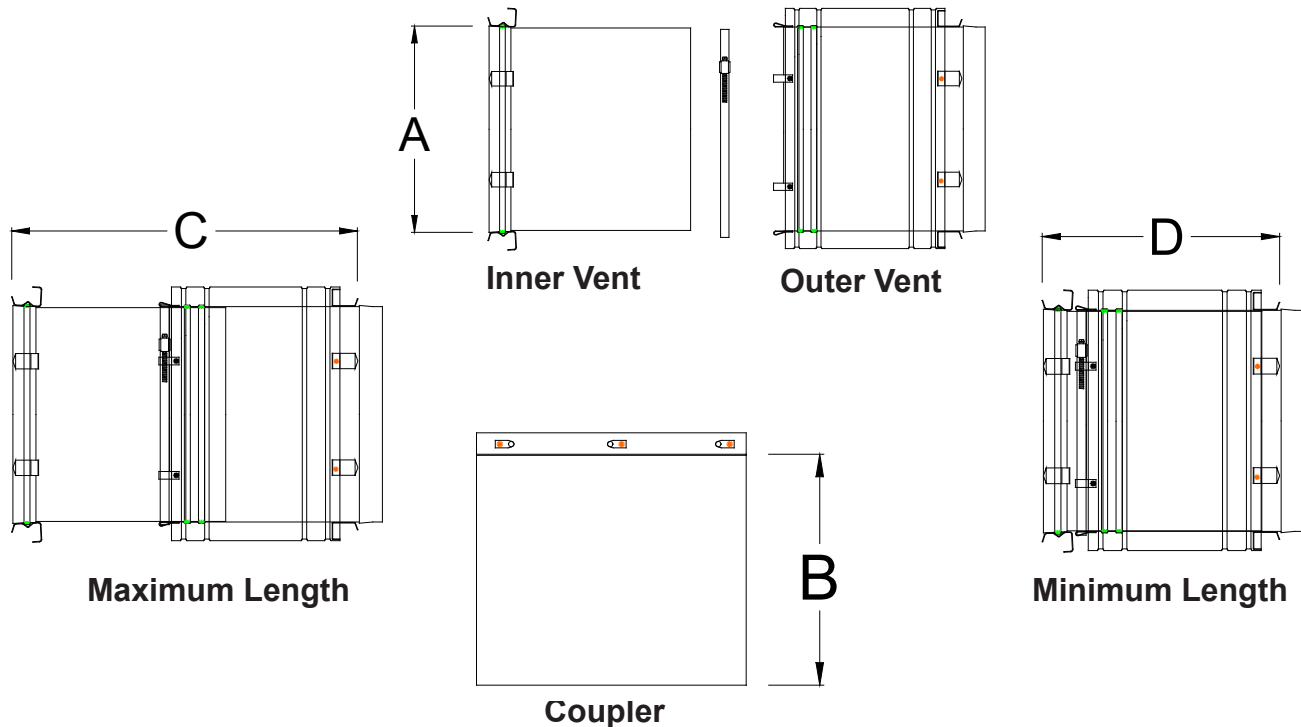
Saf-T Vent® CI 316

DOUBLE WALL 316L SPECIAL GAS VENT

Adjustable Length:

Long Adjustable Length — The Saf-T Vent CI 316 Adjustable Section serves as a variable length between other components when specific lengths cannot be utilized. The installed length of the adjustable is 13" to 20". Each adjustable section comes with a joint locking strap and a coupler, which can be field cut. It is important to provide adequate support to a Saf-T Vent CI 316 system, refer to installation instructions for support specifications.

Part Number	DIM - A Nominal Vent Pipe Diameter	DIM - B Nominal Coupler Diameter	DIM - C Maximum Installed Length	DIM - D Minimum Installed Length
CCA04AJ-316	4	6.3	20	13
CCA05AJ-316	5	7.3	20	13
CCA06AJ-316	6	8.3	20	13
CCA07AJ-316	7	9.3	20	13
CCA08AJ-316	8	10.3	20	13
CCA09AJ-316	9	11.3	20	13
CCA10AJ-316	10	12.3	20	13
CCA12AJ-316	12	14.3	20	13
CCA14AJ-316	14	16.3	20	13
CCA16AJ-316	16	18.3	20	13
CCA18AJ-316	18	20.3	20	13
CCA20AJ-316	20	22.3	20	13
CCA22AJ-316	22	24.3	20	13
CCA24AJ-316	24	26.3	20	13
CCA26AJ-316	26	28.3	20	13
CCA28AJ-316	28	30.3	20	13
CCA30AJ-316	30	32.3	20	13
CCA32AJ-316	32	34.3	20	13



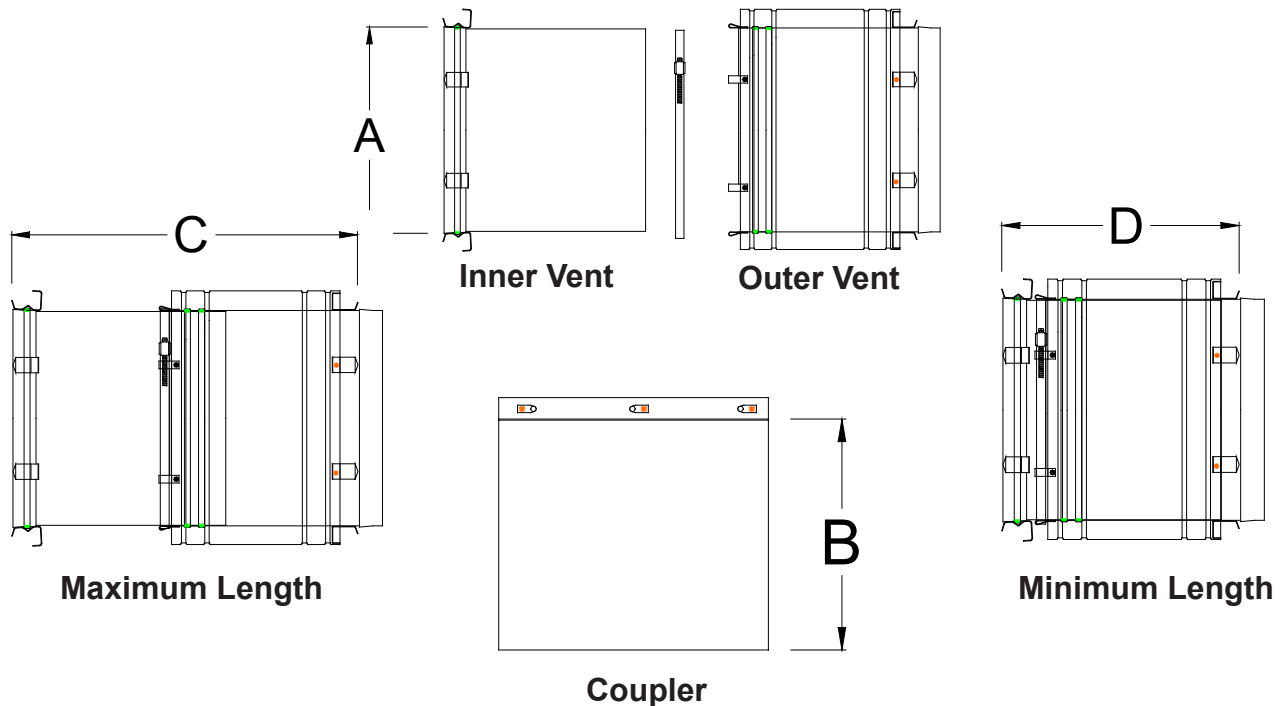
Saf-T Vent[®] CI 316

DOUBLE WALL 316L SPECIAL GAS VENT

Adjustable Length:

Short Adjustable Length — The Saf-T Vent CI 316 Adjustable Section serves as a variable length between other components when specific lengths cannot be utilized. The installed length of the adjustable is 7" to 11". Each adjustable section comes with a joint locking strap and a coupler, which can be field cut. It is important to provide adequate support to a Saf-T Vent CI 316 system, refer to installation instructions for support specifications.

Part Number	DIM - A Nominal Vent Pipe Diameter	DIM - B Nominal Coupler Diameter	DIM - C Maximum Installed Length	DIM - D Minimum Installed Length
CCA04AJSM-316	4	6.3	11	7
CCA05AJSM-316	5	7.3	11	7
CCA06AJSM-316	6	8.3	11	7
CCA07AJSM-316	7	9.3	11	7
CCA08AJSM-316	8	10.3	11	7
CCA09AJSM-316	9	11.3	11	7
CCA10AJSM-316	10	12.3	11	7
CCA12AJSM-316	12	14.3	11	7
CCA14AJSM-316	14	16.3	11	7
CCA16AJSM-316	16	18.3	11	7
CCA18AJSM-316	18	20.3	11	7
CCA20AJSM-316	20	22.3	11	7
CCA22AJSM-316	22	24.3	11	7
CCA24AJSM-316	24	26.3	11	7
CCA26AJSM-316	26	28.3	11	7
CCA28AJSM-316	28	30.3	11	7
CCA30AJSM-316	30	32.3	11	7
CCA32AJSM-316	32	34.3	11	7



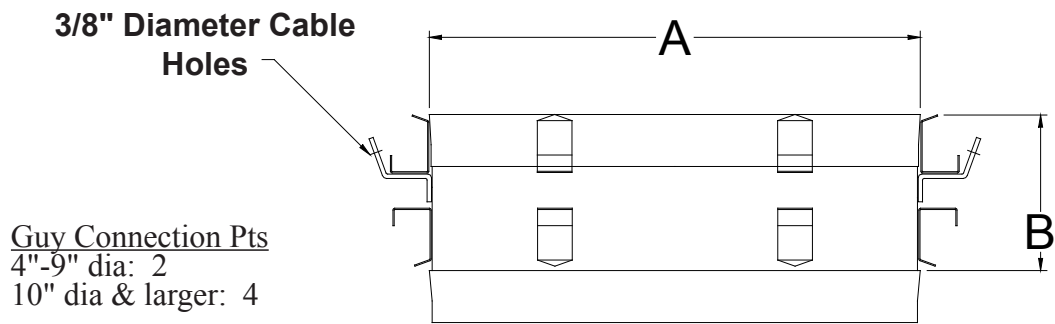
Saf-T Vent[®] CI 316

DOUBLE WALL 316L SPECIAL GAS VENT

Supports:

Guy Support Section — Provides vertical support using a part that is a flue-gas-carrying component of the vent system. Guy sections are primarily installed in long, inaccessible chases or used to provide support to systems with extended lengths above the roofline. Attach the guy section using stainless steel or galvanized cables or chain (supplied by others). Each guy section comes with a coupler and a joint locking strap. Refer to installation instructions for spacing between supports.

Part Number	DIM - A Nominal Diameter	DIM - B Installed Height	DIM - C Hole Diameter
CCA04GUY-316	4	4.5	0.38
CCA05GUY-316	5	4.5	0.38
CCA06GUY-316	6	4.5	0.38
CCA07GUY-316	7	4.5	0.38
CCA08GUY-316	8	4.5	0.38
CCA09GUY-316	9	4.5	0.38
CCA10GUY-316	10	4.5	0.38
CCA12GUY-316	12	4.5	0.38
CCA14GUY-316	14	4.5	0.38
CCA16GUY-316	16	4.5	0.38
CCA18GUY-316	18	4.5	0.38
CCA20GUY-316	20	4.5	0.38
CCA22GUY-316	22	4.5	0.38
CCA24GUY-316	24	4.5	0.38
CCA26GUY-316	26	4.5	0.38
CCA28GUY-316	28	4.5	0.38
CCA30GUY-316	30	4.5	0.38
CCA32GUY-316	32	4.5	0.38



Guy Support Section

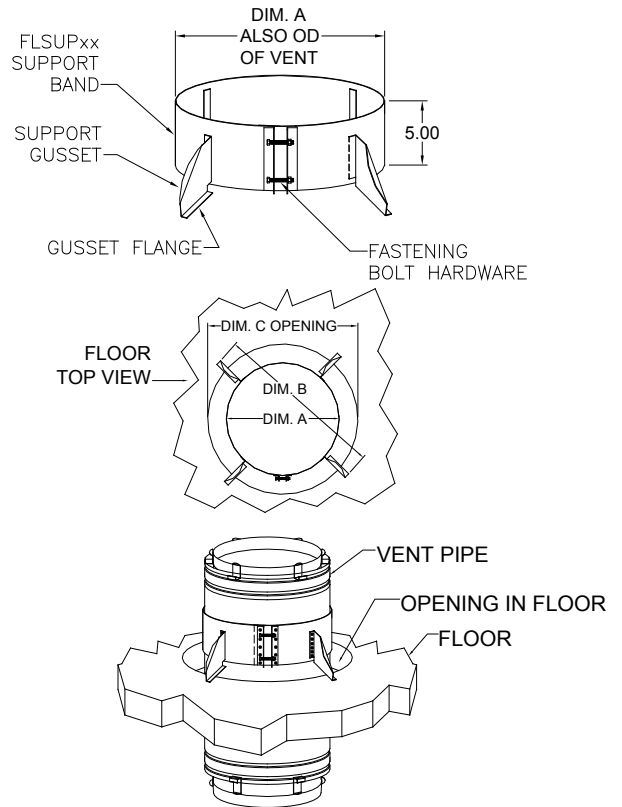
Saf-T Vent® CI 316

DOUBLE WALL 316L SPECIAL GAS VENT

Supports:

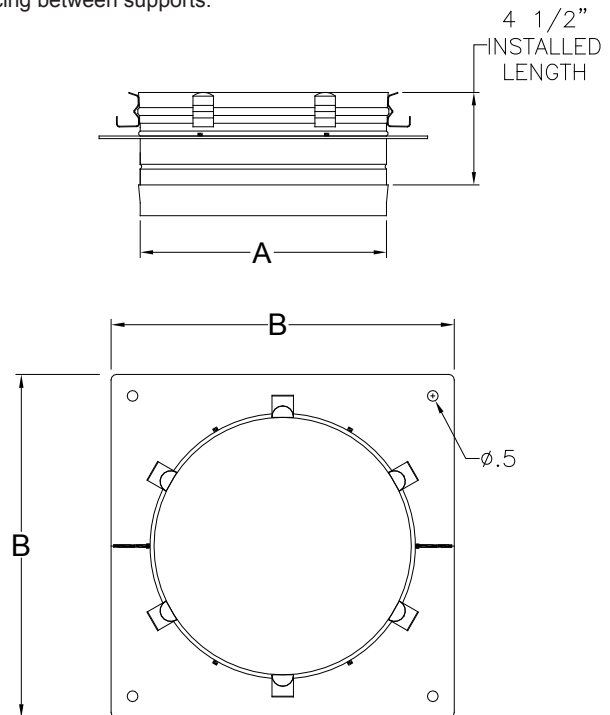
Floor Support — Use as a support between floors. Can also be used inside an accessible chase with the addition of site designed support brackets.

Part Number	DIM - A Vent OD	DIM - B Plate	DIM - C Max. Floor Opening
FLSUP06	6 (4" CI+)	14.68	11.68
FLSUP07	7 (5" CI+)	15.68	12.68
FLSUP08	8 (6" CI+)	16.68	13.68
FLSUP09	9 (7" CI+)	17.68	14.68
FLSUP10	10 (8" CI+)	18.68	15.68
FLSUP11	11 (9" CI+)	19.68	16.68
FLSUP12	12 (10" CI+)	20.68	17.68
FLSUP14	14 (12" CI+)	22.68	19.68
FLSUP16	16 (14" CI+)	24.68	21.68
FLSUP18	18 (16" CI+)	26.68	23.68
FLSUP20	20 (18" CI+)	28.68	25.68
FLSUP22	22 (20" CI+)	30.68	27.68
FLSUP24	24 (22" CI+)	32.68	29.68
FLSUP26	26 (24" CI+)	34.68	31.68
FLSUP28	28 (26" CI+)	36.68	33.68
FLSUP30	30 (28" CI+)	38.68	35.68
FLSUP32	32 (30" CI+)	40.68	37.68
FLSUP34	34 (32" CI+)	42.68	39.68



Vertical Support Plate — Use as a vertical stack support. Can be used horizontally if needed. Framework is by others, utilizing typical construction components such as angle iron or unistrut type material. Support section is fully assembled and includes a joint band. Refer to installation instructions for spacing between supports.

Part Number	DIM - A Vent Diameter	DIM - B Plate
CCA04VSP-316	4	8
CCA05VSP-316	5	9
CCA06VSP-316	6	10
CCA07VSP-316	7	11
CCA08VSP-316	8	12
CCA09VSP-316	9	13
CCA10VSP-316	10	14
CCA12VSP-316	12	16
CCA14VSP-316	14	18
CCA16VSP-316	16	20
CCA18VSP-316	18	22
CCA20VSP-316	20	24
CCA22VSP-316	22	26
CCA24VSP-316	24	28
CCA26VSP-316	26	30
CCA28VSP-316	28	32
CCA30VSP-316	30	34
CCA32VSP-316	32	36



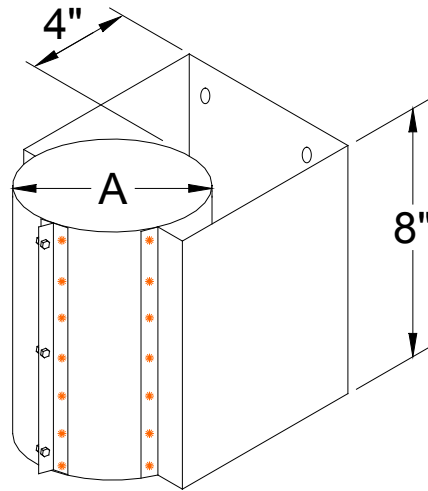
Saf-T Vent[®] CI 316

DOUBLE WALL 316L SPECIAL GAS VENT

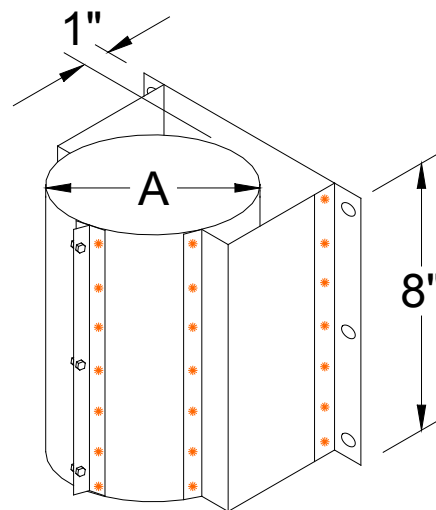
Supports:

Vertical Support — Use to support Saf-T Vent CI 316 systems, the part number CCA_VTS4 maintains a 4" clearance to combustible materials and the CCA_VTS maintains a 1" clearance to combustible materials. Refer to the installation instructions for placement of supports.

Part Number	Inner Vent Diameter	DIM - A Nominal Outer Jacket Diameter
CCA04VTS4	4	6.3
CCA05VTS4	5	7.3
CCA06VTS4	6	8.3
CCA07VTS4	7	9.3
CCA08VTS4	8	10.3
CCA09VTS4	9	11.3
CCA10VTS4	10	12.3
CCA12VTS4	12	14.3
CCA14VTS4	14	16.3
CCA16VTS4	16	18.3
CCA18VTS4	18	20.3
CCA20VTS4	20	22.3
CCA22VTS4	22	24.3
CCA24VTS4	24	26.3
CCA26VTS4	26	28.3
CCA28VTS4	28	30.3
CCA30VTS4	30	32.3
CCA32VTS4	32	34.3



Part Number	Inner Vent Diameter	DIM - A Nominal Outer Jacket Diameter
CCA04VTS	4	6.3
CCA05VTS	5	7.3
CCA06VTS	6	8.3
CCA07VTS	7	9.3
CCA08VTS	8	10.3
CCA09VTS	9	11.3
CCA10VTS	10	12.3
CCA12VTS	12	14.3
CCA14VTS	14	16.3
CCA16VTS	16	18.3
CCA18VTS	18	20.3
CCA20VTS	20	22.3
CCA22VTS	22	24.3
CCA24VTS	24	26.3



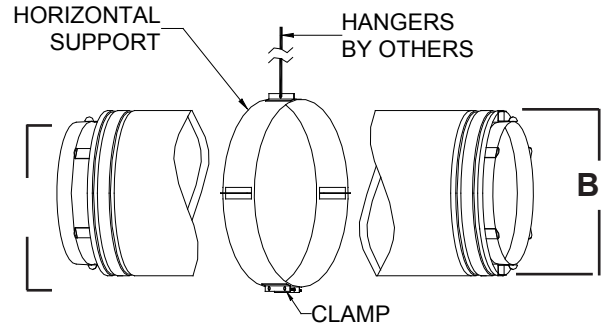
Saf-T Vent® CI 316

DOUBLE WALL 316L SPECIAL GAS VENT

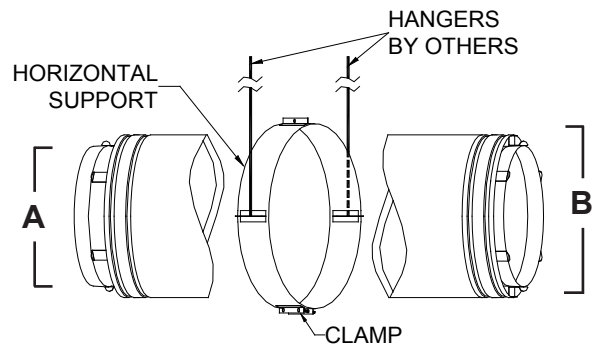
Support Hangers:

Horizontal Support for Large Diameter — Typical for large diameter support. Provides horizontal support for the Saf-T Vent CI 316 system. Diameters 24" thru 32" must have support every 6 feet of horizontal run. The support may be attached from the center of the bracket or from the sides of the support bracket. Support hangers by themselves do not maintain the necessary clearances to combustible materials; be sure to consider clearances when planning the system. Refer to installation instructions for spacing between supports.

Part Number	DIM - A Inner Vent Diameter	DIM - B Outer Jacket
CCM24HZZ	24	26.3
CCM26HZZ	26	28.3
CCM28HZZ	28	30.3
CCM30HZZ	30	32.3
CCM32HZZ	32	34.3



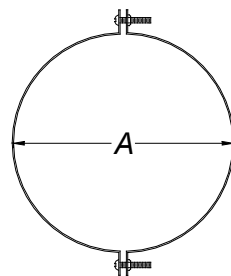
Center Attached Support



Side Attached Support

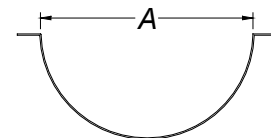
Support Clamp — Typical for smaller diameter support. For use on horizontal systems to provide support at the required 6-foot intervals. Support clamps by themselves do not maintain the necessary clearances to combustible materials; be sure to consider clearances when planning the system. Support clamps are sold in pairs, with two half-shells, and two 1/4-20 nuts and bolts. This part is made from 18-gauge Type 304 stainless steel and should not be installed in the direct path of flue gases. Can also be used as guy support clamps, vertically as well as horizontally. Refer to installation instructions for spacing between supports.

Part Number	Inner Vent	DIM - A Nominal Diameter
4627SS	4	6
4727SS	5	7
4827SS	6	8
4927SS	7	9
41027SS	8	10
41127SS	9	11
41227SS	10	12
41427SS	12	14
41627SS	14	16
41827SS	16	18
42027SS	18	20
42227SS	20	22
42427SS	22	24



Support Clamp

Used in pairs to clamp around the vent and suspend from a single rod or cable.



Support Clamp

Used singularly as a saddle to rest the vent in; suspend from two rods or cables.

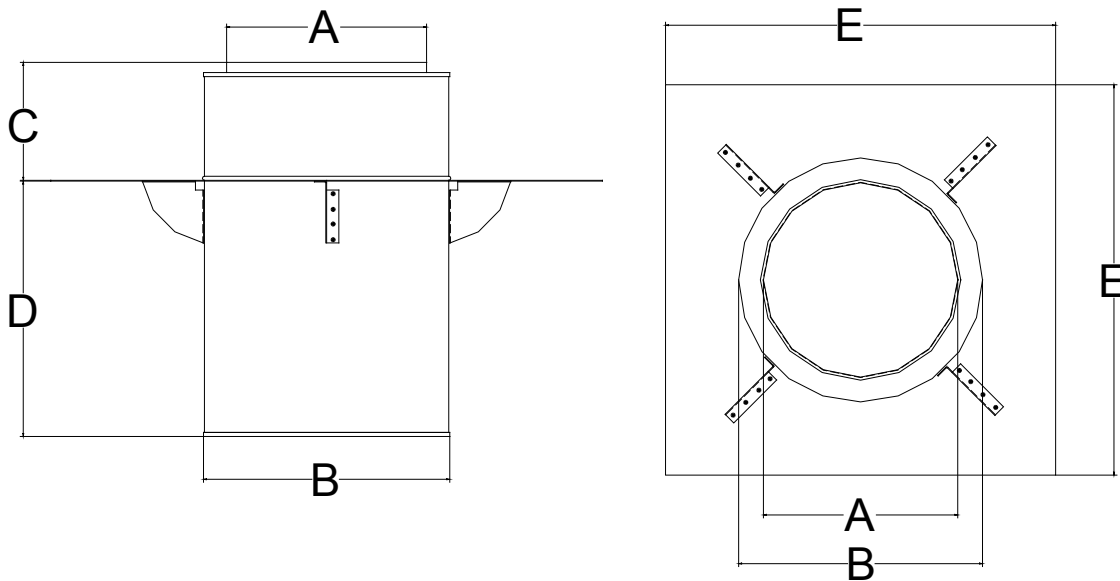
Saf-T Vent® CI 316

DOUBLE WALL 316L SPECIAL GAS VENT

Supports:

Roof Jack Support System— For use with vertical terminations. Use to pass through combustible and noncombustible roof structures. The roof jack support system must be installed on a flat roof or a level curb only. Each roof jack support system includes a storm collar that provides support and when sealed, acts as a water barrier. Cannot be used in a chase with a 1" clearance to vent. Refer to Tall Cone Flashing. Refer to installation instructions for spacing between supports.

Part Number	Inner Vent Diameter	DIM - A I D of Roof Jack	DIM - B OD of Roof Jack	DIM - C Height Above Roof Line	DIM - D Height Below Roof Line	DIM - E Plate Size
CCL04RJ	4	6.5	9.1	7.25	15	24
CCL05RJ	5	7.5	10.1	7.25	15	24
CCL06RJ	6	8.5	11.1	7.25	15	24
CCL07RJ	7	9.5	12.1	7.25	15	24
CCL08RJ	8	10.5	13.1	7.25	15	24
CCL09RJ	9	11.5	14.5	7.25	15	24
CCL10RJ	10	12.5	15.1	7.25	15	24
CCL12RJ	12	14.5	17.1	7.25	15	24
CCL14RJ	14	16.5	19.1	7.25	15	27
CCL16RJ	16	18.5	21.1	7.25	15	30
CCL18RJ	18	20.5	23.1	7.25	15	32
CCL20RJ	20	22.5	25.1	7.25	15	34
CCL22RJ	22	24.5	27.1	7.25	15	36
CCL24RJ	24	26.5	29.1	7.25	15	36
CCL26RJ	26	28.5	31.1	7.25	15	36
CCL28RJ	28	30.5	33.1	7.25	15	40
CCL30RJ	30	32.5	35.1	7.25	15	42
CCL32RJ	32	34.5	37.1	7.25	15	44



Roof Jack Support System

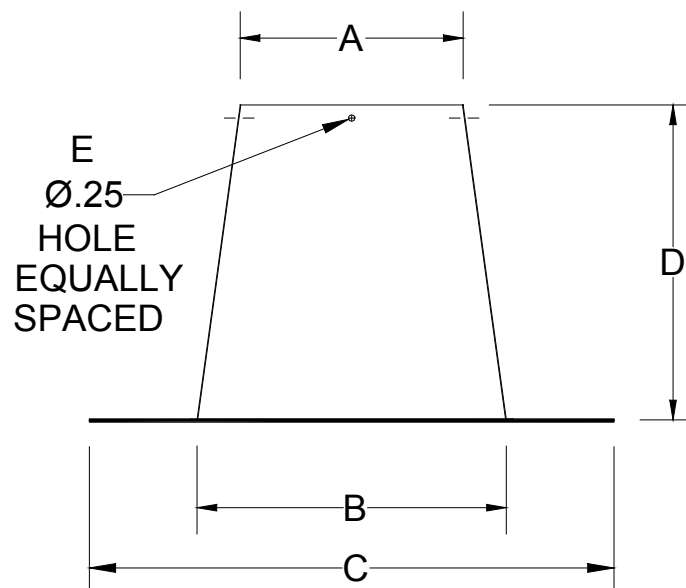
Saf-T Vent® CI 316

DOUBLE WALL 316L SPECIAL GAS VENT

Supports:

Tall Cone Flashing and Support— Use as a vertical roof penetration/support in conjunction with a combustible chase. Can be used with a roof curb if needed. Can be used on metal roofs with a 2-12 pitch. This part comes with a storm collar and support screws and is of all stainless steel construction. A Vented Termination Collar **must** be used when installed in a combustible chase and must be ordered separately. CAUTION: the support screws can **only** be installed with Saf-T Vent CI Plus venting.

Part Number	Inner Vent Diameter Opening	DIM-A Top of Cone Opening	DIM - B Bottom of Cone (Square)	DIM - C Face Plate Height	DIM - D Overall of Holes	DIM-E Quantity
CCM04TCF	4	6.5	9.75	18	2	4
CCM05TCF	5	7.5	10.75	20	12	4
CCM06TCF	6	8.5	11.75	20	12	4
CCM07TCF	7	9.5	12.75	22	12	4
CCM08TCF	8	10.5	13.75	22	12	4
CCM09TCF	9	11.5	14.75	24	12	4
CCM10TCF	10	12.5	15.75	24	12	4
CCM12TCF	12	14.5	17.75	26	12	4
CCM14TCF	14	16.5	19.75	28	12	6
CCM16TCF	16	18.5	21.75	30	16	6
CCM18TCF	18	20.5	23.75	32	12	6
CCM20TCF	20	22.5	25.75	34	12	6
CCM22TCF	22	24.5	27.75	36	12	6
CCM24TCF	24	26.5	29.75	38	12	8
CCM26TCF	26	28.5	31.75	40	12	8
CCM28TCF	28	30.5	33.75	42	12	8
CCM30TCF	30	32.5	35.75	44	12	8
CCM32TCF	32	34.5	37.75	46	12	8



Tall Cone Flashing and Support

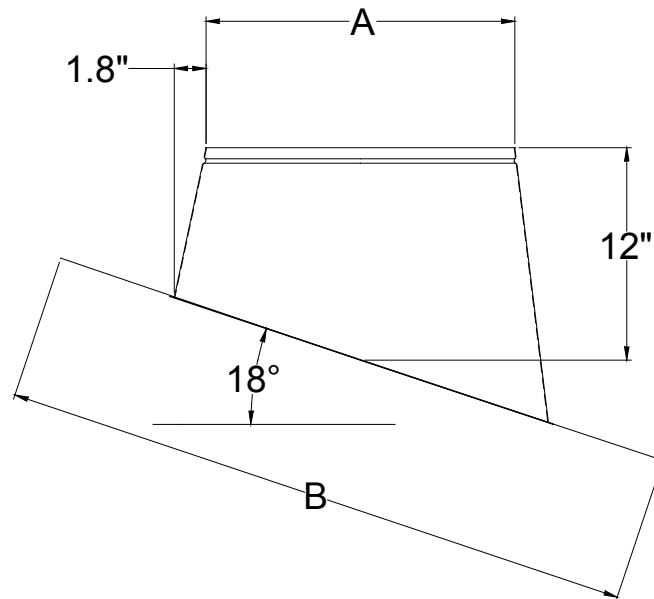
Saf-T Vent[®] CI 316

DOUBLE WALL 316L SPECIAL GAS VENT

Supports:

Pitched Tall Cone Flashing — Use as a vertical roof penetration in conjunction with a combustible chase. Can be used on roofs with a 2/12 - 6/12 pitch. This part comes with a storm collar and is of all stainless steel construction. A Vented Termination Collar **must** be used when installed in a combustible chase and must be ordered separately. Can be used with Saf-T Vent CI vent when clearance to combustibles are maintained.

Part Number	Inner Vent Diameter	DIM-A Top of Cone Opening	DIM - B Face Plate (Square)
CCM04TCFP	4	6.5	24
CCM05TCFP	5	8.5	24
CCM06TCFP	6	9.5	24
CCM07TCFP	7	10.5	26
CCM08TCFP	8	11.5	26
CCM09TCFP	9	12.5	26
CCM10TCFP	10	13.5	28
CCM12TCFP	12	15.5	30
CCM14TCFP	14	17.5	34
CCM16TCFP	16	19.5	34
CCM18TCFP	18	21.5	36
CCM20TCFP	20	23.5	38
CCM22TCFP	22	25.5	40
CCM24TCFP	24	27.5	42
CCM26TCFP	26	29.5	44
CCM28TCFP	28	31.5	46
CCM30TCFP	30	33.5	48
CCM32TCFP	32	35.5	48



Pitched Tall Cone Flashing

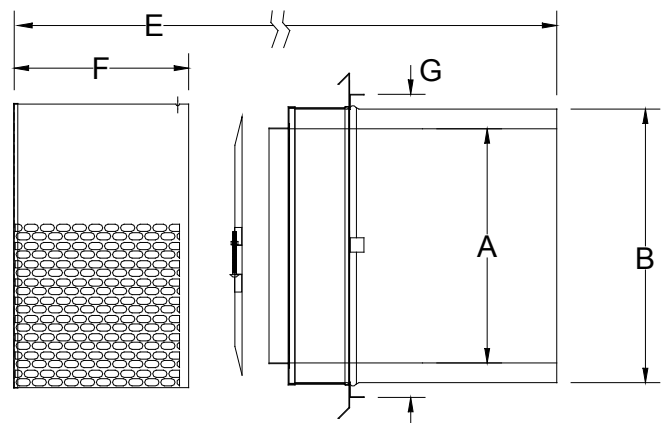
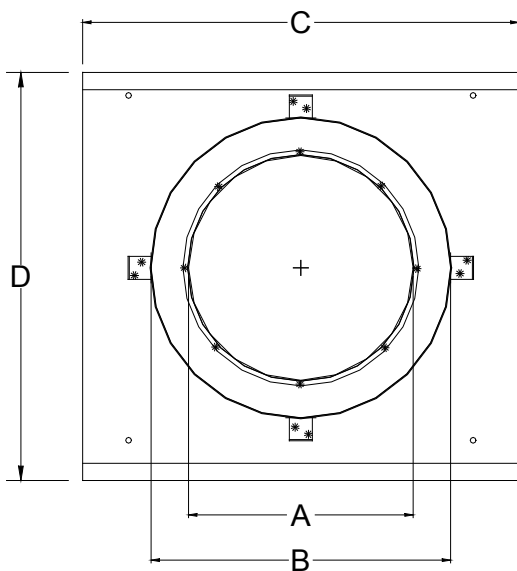
Saf-T Vent® CI 316

DOUBLE WALL 316L SPECIAL GAS VENT

Terminations:

Wall Termination / Penetration — Use to penetrate any combustible or non-combustible wall. This part is a thimble only and does not include any vent. Order enough vent to pass through the thimble and extend 4-8 inches beyond the building sheathing. Includes an AL 29-4C® screen cover and a vent finish collar to terminate the vent system.

Part Number	Inner Vent Diameter	DIM - A Outer Jacket Diameter	DIM - B Outer Thimble Diameter	DIM - C Face Plate Width	DIM - D Face Plate Height	DIM - E Overall Length	DIM - F Exterior Length	DIM - G Wall Opening
CCE04WP	4	6.3	9	16	15	21.5	6	11
CCE05WP	5	7.3	10	17	16	23.5	8	12
CCE06WP	6	8.3	11	18	17	23.5	8	13
CCE07WP	7	9.3	12	18	17	23.5	12	14
CCE08WP	8	10.3	13	19	18	27.5	12	15
CCE09WP	9	11.3	14	20	19	27.5	12	16
CCE10WP	10	12.3	15	22	21	27.5	12	17
CCE12WP	12	14.3	17	24	23	27.5	12	19
CCE14WP	14	16.3	19	25	24	27.5	12	21
CCE16WP	16	18.3	21	27	26	27.5	12	23
CCE18WP	18	20.3	23	29	28	27.5	12	25
CCE20WP	20	22.3	25	31	30	27.5	12	27
CCE22WP	22	24.3	27	33	32	27.5	12	29
CCE24WP	24	26.3	29	35	34	27.5	12	31
CCE26WP	26	28.3	31	37	36	27.5	12	33
CCE28WP	28	30.3	33	39	38	27.5	12	35
CCE30WP	30	32.3	35	41	40	27.5	12	37
CCE32WP	32	34.3	37	43	42	27.5	12	39



Wall Termination / Penetration

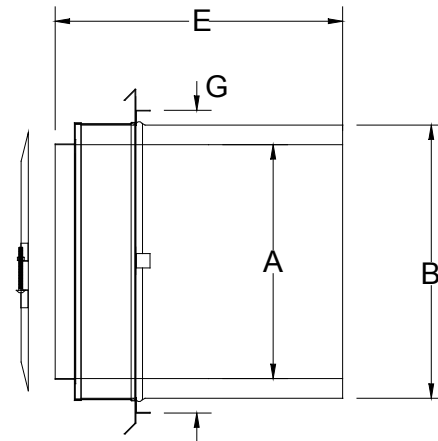
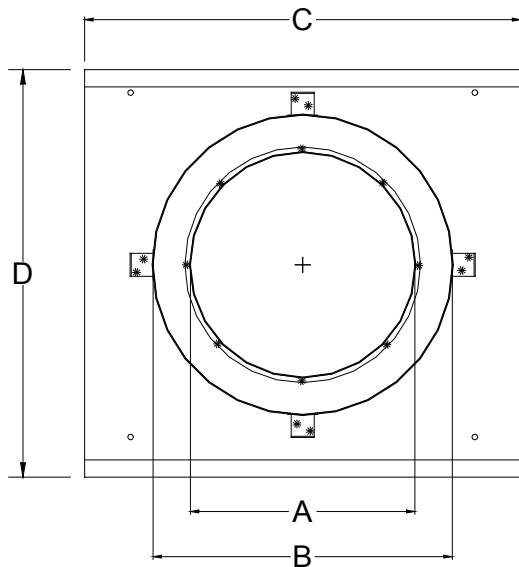
Saf-T Vent® CI 316

DOUBLE WALL 316L SPECIAL GAS VENT

Terminations:

Wall Penetration — Use to penetrate any combustible or non-combustible wall. This part is a thimble only and does not include any vent. Order enough vent to pass through the thimble and extend 4-8 inches beyond the building sheathing. Includes a finish collar.

Part Number	Inner Vent Diameter	DIM - A Outer Jacket Diameter	DIM - B Outer Thimble Diameter	DIM - C Face Plate Width	DIM - D Face Plate Height	DIM - E Overall Length	DIM - G Wall Opening
CCL04WPNS	4	6.3	9	16	15	18.5	11
CCL05WPNS	5	7.3	10	17	16	18.5	12
CCL06WPNS	6	8.3	11	18	17	18.5	13
CCL07WPNS	7	9.3	12	18	17	18.5	14
CCL08WPNS	8	10.3	13	19	18	18.5	15
CCL09WPNS	9	11.3	14	20	19	18.5	16
CCL10WPNS	10	12.3	15	22	21	18.5	17
CCL12WPNS	12	14.3	17	24	23	18.5	19
CCL14WPNS	14	16.3	19	25	24	18.5	21
CCL16WPNS	16	18.3	21	27	26	18.5	23
CCL18WPNS	18	20.3	23	29	28	18.5	25
CCL20WPNS	20	22.3	25	31	30	18.5	27
CCL22WPNS	22	24.3	27	33	32	18.5	29
CCL24WPNS	24	26.3	29	35	34	18.5	31
CCL26WPNS	26	28.3	31	37	36	18.5	33
CCL28WPNS	28	30.3	33	39	38	18.5	35
CCL30WPNS	30	32.3	35	41	40	18.5	37
CCL32WPNS	32	34.3	37	43	42	18.5	39



Wall Penetration

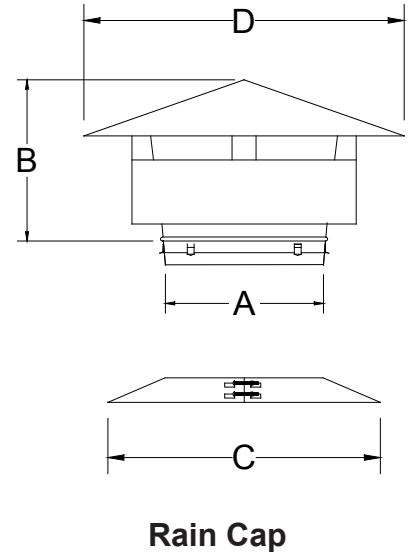
Saf-T Vent[®] CI 316

DOUBLE WALL 316L SPECIAL GAS VENT

Terminations:

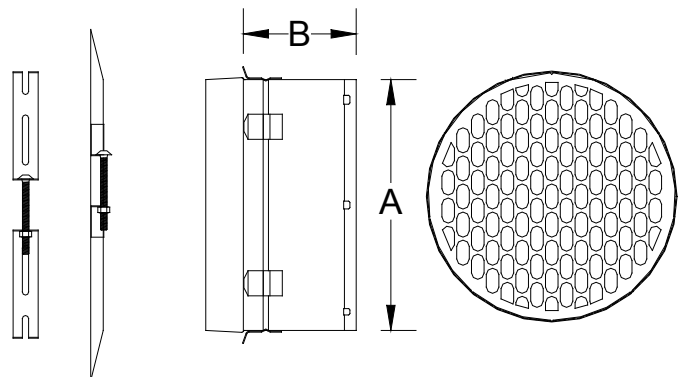
Rain Cap — Use as a termination on vertical systems. Category I and II appliances require a raincap with wind protection. Vent systems for positive pressure appliances may omit the raincap if there are other provisions for draining rainwater from the system. The raincap may also be used as a horizontal termination. Each raincap includes a joint locking strap as well as a storm collar. Call Heatfab to inquire about larger diameters.

Part Number	DIM - A Nominal Vent Pipe Diameter	DIM - B Cap Installed Height	DIM - C Storm Collar OD	DIM - D Cap OD
CCA04RC	4	8.5	12	12
CCA05RC	5	8.5	14	14
CCA06RC	6	8.5	14	14
CCA07RC	7	9.5	18	18
CCA08RC	8	9.5	18	18
CCA09RC	9	9.5	20	20
CCA10RC	10	9.5	20	20
CCA12RC	12	9.5	24	24
CCA14RC	14	11.5	28	28
CCA16RC	16	13.5	32	32
CCA18RC	18	15.5	36	36
CCA20RC	20	17.5	36	36
CCA22RC	22	19.5	44	44
CCA24RC	24	19.5	48	48



Screened Termination— Use as a termination on horizontal or vertical systems, as specified or allowed by the appliance manufacturer. The screened termination comes with a joint locking strap and a finish collar. Made of AL29-4C.

Part Number	DIM - A Diameter	DIM - B Installed Length
CCK04TM	4	4.5
CCK05TM	5	4.5
CCK06TM	6	4.5
CCK07TM	7	4.5
CCK08TM	8	4.5
CCK09TM	9	4.5
CCK10TM	10	4.5
CCK12TM	12	4.5
CCK14TM	14	4.5
CCK16TM	16	4.5
CCK18TM	18	4.5
CCK20TM	20	4.5
CCK22TM	22	4.5
CCK24TM	24	4.5
CCK26TM	26	4.5
CCK28TM	28	4.5
CCK30TM	30	4.5
CCK32TM	32	4.5



Screened Termination

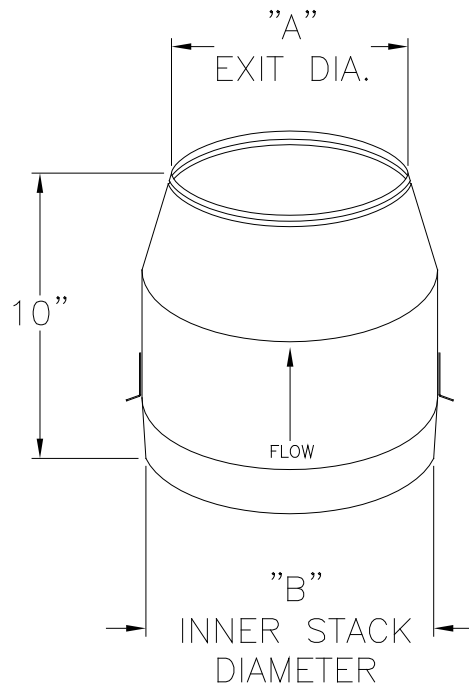
Saf-T Vent[®] CI 316

DOUBLE WALL 316L SPECIAL GAS VENT

Terminations:

Exit Cone — Use as a termination to increase the velocity of the flue gases exiting the stack. The exit cone may also help to reduce ice buildup in cold climates where a rain cap may normally be used. A narrow Finish Collar is included to seal off the 1" air space of the CI 316 vent. The Exit Cone can be attached to EZ Seal Plus/EZ 316 vent systems by folding the EZ Seal Plus/EZ 316 tabs thru the locking strap on the Exit Cone

Part Number	DIM - A	DIM-B	Installed Ht
CCA04EX03	3	4	8.5"
CCA05EX04	4	5	8.5"
CCA06EX04	4	6	8.5"
CCA07EX05	5	7	8.5"
CCA08EX06	6	8	8.5"
CCA09EX07	7	9	8.5"
CCA10EX08	8	10	8.5"
CCA12EX10	10	12	8.5"
CCA14EX12	12	14	8.5"
CCA16EX14	14	16	8.5"
CCA18EX16	16	18	8.5"
CCA20EX18	18	20	8.5"
CCA22EX20	20	22	8.5"
CCA24EX22	22	24	8.5"
CCA26EX24	24	26	8.5"
CCA28EX26	26	28	8.5"
CCA30EX28	28	30	8.5"
CCA32EX30	30	32	8.5"



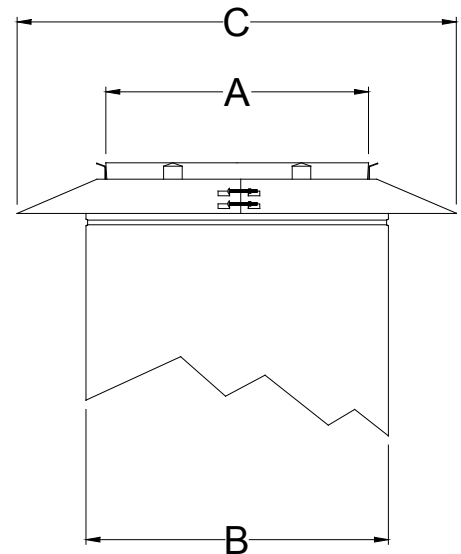
Saf-T Vent® CI 316

DOUBLE WALL 316L SPECIAL GAS VENT

Termination Accessories:

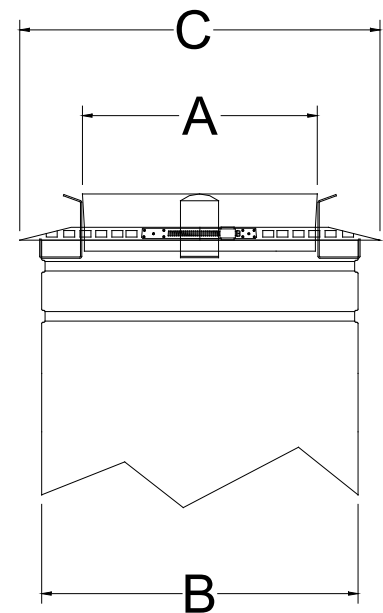
Finish Collar — The collar is used to close off air space between inner vent and outer jacket. For use on horizontal or vertical systems.

Part Number	DIM - A Inner Vent Diameter	DIM - B Outer Jacket Diameter	DIM - C Outer Collar Diameter
CCK04FC	4	6.3	7
CCK05FC	5	7.3	8
CCK06FC	6	8.3	9
CCK07FC	7	9.3	10
CCK08FC	8	10.3	11
CCK09FC	9	11.3	12
CCK10FC	10	12.3	13
CCK12FC	12	14.3	15
CCK14FC	14	16.3	17
CCK16FC	16	18.3	19
CCK18FC	18	20.3	21
CCK20FC	20	22.3	23
CCK22FC	22	24.3	25
CCK24FC	24	26.3	27
CCK26FC	26	28.3	29
CCK28FC	28	30.3	31
CCK30FC	30	32.3	33
CCK32FC	32	34.6	35



Ventilation Collar — The ventilation collar is installed over the air space between the inner vent and outer jacket and allows any built up heat to escape. The ventilation collar **must** be used on Tall Cone Flashing installations with a combustible chase. For use on horizontal and vertical systems.

Part Number	DIM - A Inner Vent Diameter	DIM - B Outer Jacket Diameter	DIM - C Outer Collar Diameter
CCK04FCV	4	6.3	7
CCK05FCV	5	7.3	8
CCK06FCV	6	8.3	9
CCK07FCV	7	9.3	10
CCK08FCV	8	10.3	11
CCK09FCV	9	11.3	12
CCK10FCV	10	12.3	13
CCK12FCV	12	14.3	15
CCK14FCV	14	16.3	17
CCK16FCV	16	18.3	19
CCK18FCV	18	20.3	21
CCK20FCV	20	22.3	23
CCK22FCV	22	24.3	25
CCK24FCV	24	26.3	27
CCK26FCV	26	28.3	29
CCK28FCV	28	30.3	31
CCK30FCV	30	32.3	33
CCK32FCV	32	34.3	35



Saf-T Vent[®] CI 316

DOUBLE WALL 316L SPECIAL GAS VENT

Notes:

Saf-T Vent[®] CI 316

DOUBLE WALL 316L SPECIAL GAS VENT

Notes:

Saf-T Vent[®] CI 316

DOUBLE WALL 316L SPECIAL GAS VENT

Notes: