

**Application Information**

The Support Plate is used to provide support for vertically installed vent. The Support Plate can be installed at the base of the stack or at various other locations throughout the stack when additional vertical support is required.

**To Install:**

1. Refer to Table 1 for Minimum Vertical Spacing between Supports.
2. Determine the appropriate location for mounting the Support Plate. The Support Plate should be mounted to solid framing members (by others) capable of supporting the weight of the vent.
3. Secure the Support Plate to the framing members by installing the appropriate fastener through the pilot hole in the plate and into the framing members (See Figs. 1 & 2).
4. Once the plate is securely mounted, connect additional vent sections to the Support Plate by using the standard joint attachment method.

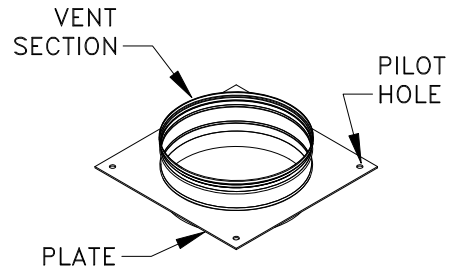


FIG. 1 (SUPPORT PLATE)

Part Number	Inner Vent Dia. (in.)	Vert. Spacing (Ft.)	
		EZ & GC	CI-Plus
CCA04VSP	4	300	150
CCA05VSP	5	300	150
CCA06VSP	6	300	150
CCA07VSP	7	300	150
CCA08VSP	8	200	100
CCA09VSP	9	200	100
CCA10VSP	10	200	75
CCA12VSP	12	200	75
CCA14VSP	14	100	75
CCA16VSP	16	100	50
CCA18VSP	18	100	50
CCA20VSP	20	100	50
CCA22VSP	22	100	30
CCA24VSP	24	50	30
CCA26VSP	26	50	30
CCA28VSP	28	50	20
CCA30VSP	30	50	20
CCA34VSP	32	50	20

Table 1. Total Height for Support Plate

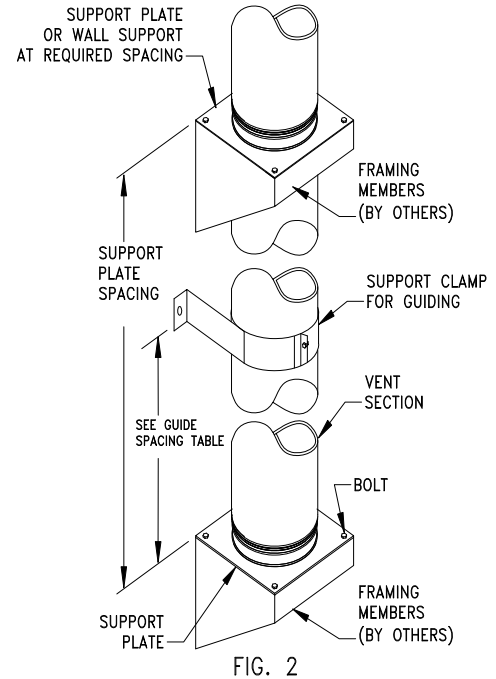
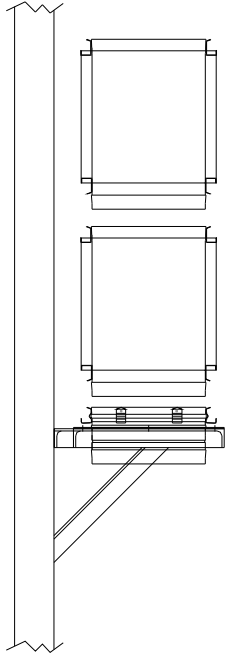


FIG. 2

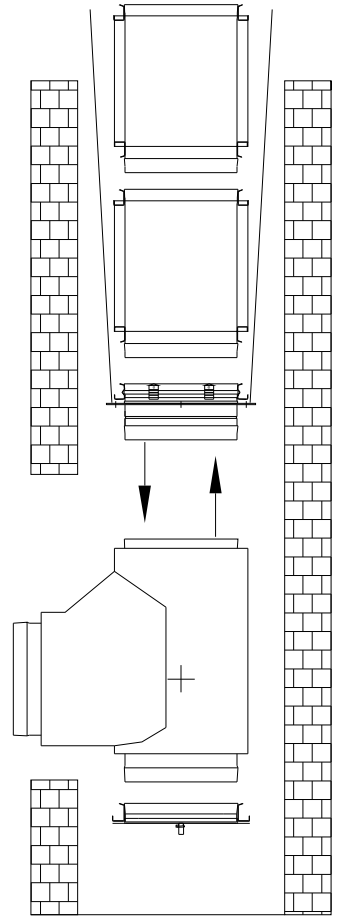
Max Lateral Guide Spacing Using Support Clamps	
Models (All Diameters)	Spacing (ft)
All Models (Exterior)	10
EZ Seal (Interior Chase)	15
CI+, GC (Interior Chase)	20

Plate supports may be used in these different applications:  
**Note: Framework and support lines are by others**

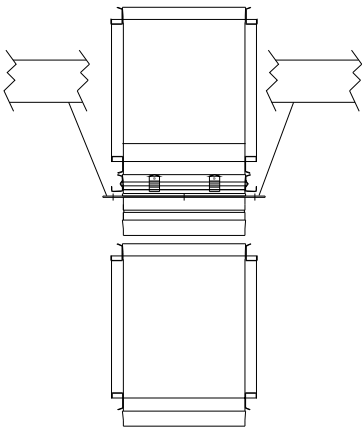


**Figure 1: Support Stack Along A Wall**

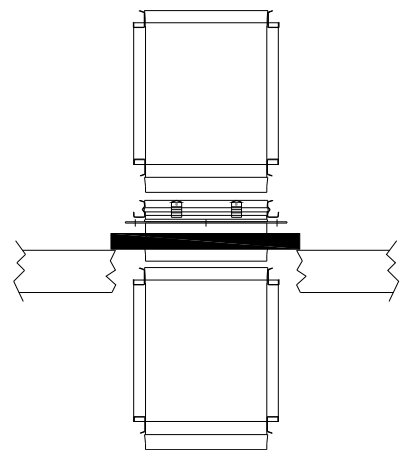
PART NO.	DIM. A VENT	DIM. B PLATE
CCA04VSP	4	8
CCA05VSP	5	9
CCA06VSP	6	10
CCA07VSP	7	11
CCA08VSP	8	12
CCA09VSP	9	13
CCA10VSP	10	14
CCA12VSP	12	16
CCA14VSP	14	18
CCA16VSP	16	20
CCA18VSP	18	22
CCA20VSP	20	24
CCA22VSP	22	26
CCA24VSP	24	28
CCA26VSP	26	30
CCA28VSP	28	32
CCA30VSP	30	34
CCA32VSP	32	36

**Figure 2: Support Stack Inside A Chase**



**Figure 3: Support Stack Below A Floor**



**Figure 4: Support Stack Above A Floor**