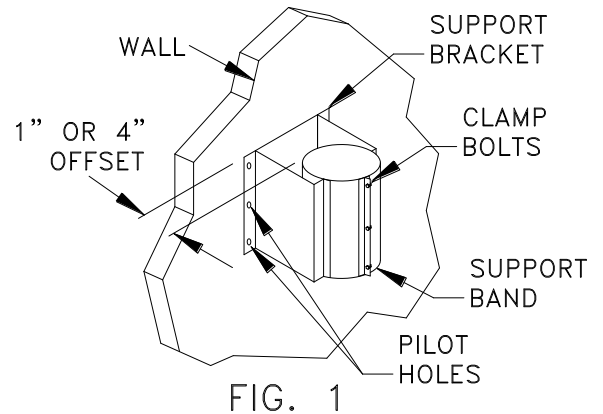


Application Information

The (1" & 4" Offset) Wall Support is used as a support when installing a vent system horizontally or vertically along a wall.

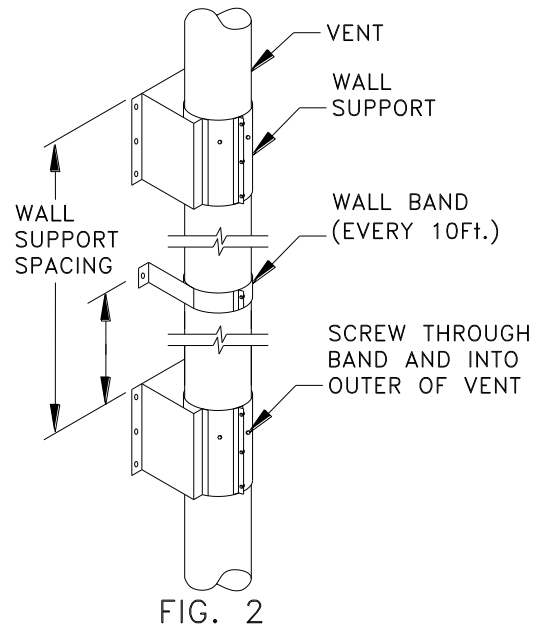
To Install:

1. Refer to Table 1 for Maximum Vertical Spacing between Supports. Note: A Wall Band is required at 10' intervals to provide lateral support between the Wall Supports (See Fig. 2). Horizontal installations require a maximum of 6 feet spacing between Wall Supports.
2. Determine the appropriate location for mounting the Wall Support. The Wall Support should be mounted to solid construction capable of supporting the weight of the vent. Note: If a greater offset is required, it is permissible to install spacer blocks or brackets (by others) behind the Wall Support to offset it further from the wall.
3. Secure the Support Brackets to the wall by installing the screws provided through the pilot holes and into the wall (See Fig. 1).
4. Loosen the clamping bolts on the front of the Support Band and install the vent through the support band (See Fig 1.) (Note: It may be necessary to completely remove the bolts and open the Support Band up in order to allow the vent to fit inside the Support Band.)
5. Adjust the vent to its intended location.
6. Secure the vent by tightening (or reinstalling) the clamping bolts until the vent is held securely (See Fig. 2).
7. Install two self-tapping screws through the outer Support Band and into the outer wall of the double-wall vent. Use caution not to pierce the inner wall.



Part Number		Inner Vent Dia. (in.)	Vertical Spacing (Ft.)
1" Offset	4" Offset		
CCA04VTS	CCA04VTS4	4	75
CCA05VTS	CCA05VTS4	5	75
CCA06VTS	CCA06VTS4	6	75
CCA07VTS	CCA07VTS4	7	60
CCA08VTS	CCA08VTS4	8	60
CCA09VTS	CCA09VTS4	9	60
CCA10VTS	CCA10VTS4	10	50
CCA12VTS	CCA12VTS4	12	45
CCA14VTS	CCA14VTS4	14	40
CCA16VTS	CCA16VTS4	16	35
CCA18VTS	CCA18VTS4	18	30
CCA20VTS	CCA20VTS4	20	25
CCA22VTS	CCA22VTS4	22	25
CCA24VTS	CCA24VTS4	24	20
CCA26VTS	CCA26VTS4	26	20
CCA28VTS	CCA28VTS4	28	15
CCA30VTS	CCA30VTS4	30	15
CCA32VTS	CCA32VTS4	32	14

Table 1. Maximum Vertical Spacing Between Supports



PI-VTSINS 082508