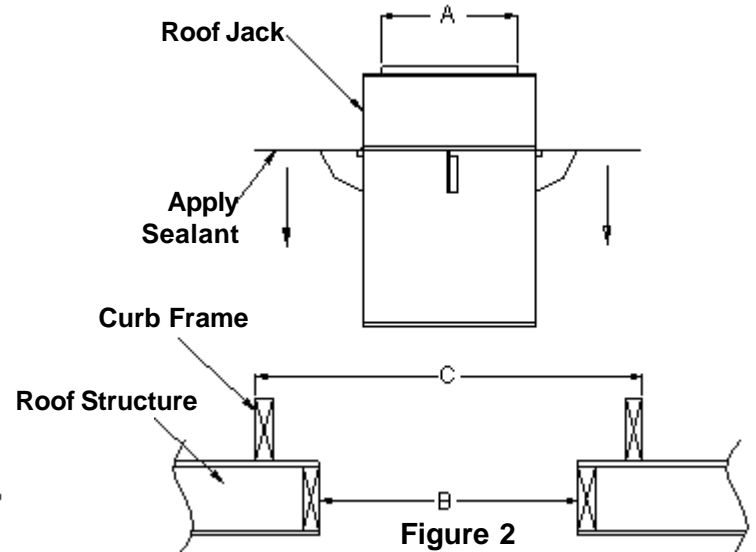
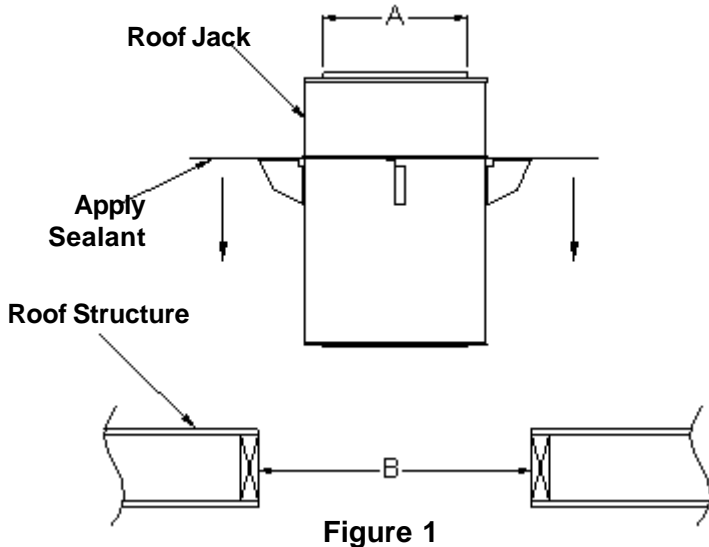
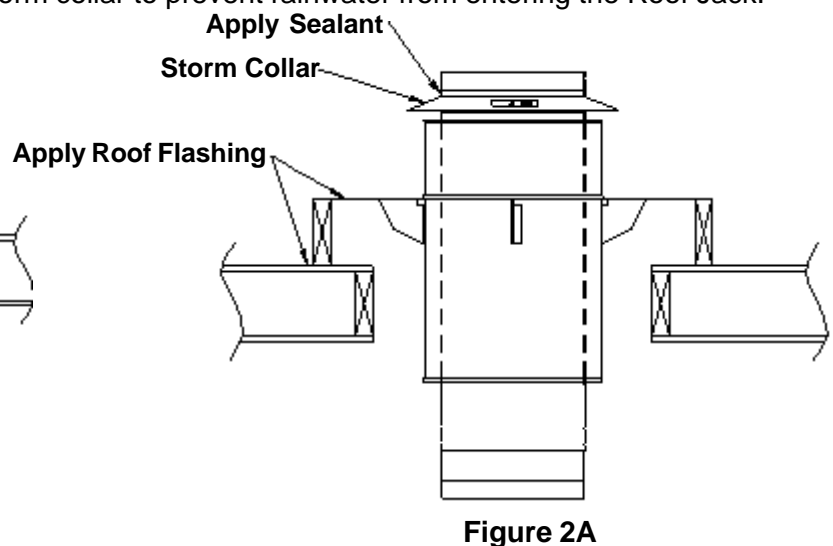
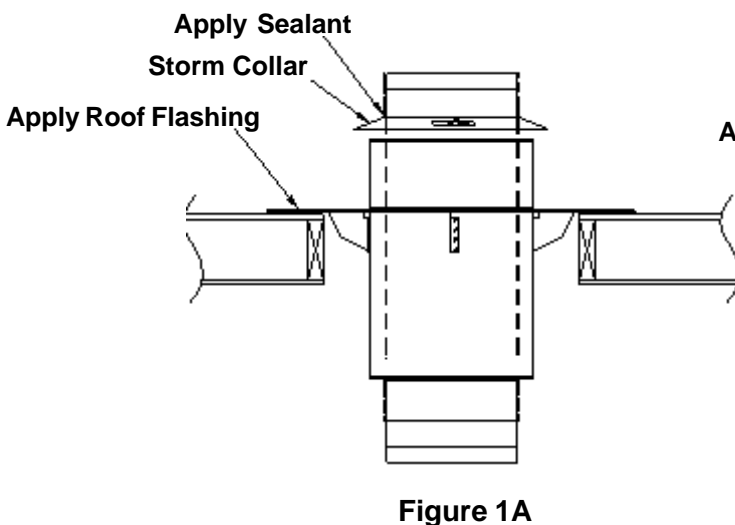


The Roof Jack Support System is used for all vertical terminations through combustible and non-combustible roof structures. The Roof Jack supports all wind loading and incidental contact with the flue system as well as providing vertical support for up to 30 ft of venting (see chart).

- Prepare the penetration location for the Roof Jack Support System on a flat roof by drilling a small hole up through the roof at the desired location. Refer to the framing chart *dimension B*, and *figure 1*. Cut a square hole and remove any existing roofing materials to clear the roofjack. If any roof joists must be cut in order to locate the vent, follow local and national building codes for reframing the opening. If using a raised roof curb refer to the framing chart, *dimension C* and *figure 2*. Roof curbs can be purchased at most building supply companys and come in many pitches and roof configurations.
- Drill or hand punch screw or nail holes around the perimeter of the Roof Jack plate. Apply weather resistant caulk to the bottom of the Roof Jack plate, gusset side down (*fig. 1*). Center the Roof Jack over the hole and secure to the roof deck or curb using screws or roofing nails with neoprene washers.



- Flash over the Roof Jack utilizing normal roofing contractor methods. Flashing materials are not supplied with the Roof Jack.
- Install the storm collar, supplied with the Roof Jack, around the vent pipe that passes through the Roof Jack. Tighten the storm collar using the screw clamp. The collar should be sitting on top of the Roof Jack to prevent the vent pipe from slipping downward (*figures 1A and 2A*).
- Apply weather resistant sealant around the storm collar to prevent rainwater from entering the Roof Jack.



- If the vent pipe protrudes more than 6 feet above the roof, guy sections must be used above and below the Roof Jack for stabilization. Refer to the Saf-T Vent Guy installation instructions (PI-CIGUY) if necessary.

Framing Chart For Saf-T Vent CI, GC and EZ Seal Roof Jacks

ROOF OPENING FRAMING DIMS. FIG. 1			CURB SIZE FIG. 2	SUPPORT DISTANCE
PART #	VENT DIAM	OPENING	CURB O.D.	VENT HEIGHT
	DIM A	DIM B	DIM C	HEIGHT IN FEET
5380CI	3	9 X 9	18	30
5480CI	4	10 X 10	18	30
5580CI	5	11 X 11	18	30
5680CI	6	12 X 12	24	30
5780CI	7	13 X 13	24	30
5880CI	8	14 X 14	24	30
5980CI	9	15 X 15	24	30
51080CI	10	16 X 16	24	30
51280CI	12	18 X 18	24	30
51480CI	14	20 X 20	24	20
51680CI	16	22 X 22	27	20
51880CI	18	24 X 24	30	15
52080CI	20	26 X 26	32	15
52280CI	22	28 X 28	34	10
52480CI	24	30 X 30	36	10
52680CI	26	32 X 32	36	6
52880CI	28	36 X 36	40	6
53080CI	30	36 X 36	40	6
53280CI	32	38 X 38	42	6

Framing Chart For Saf-T Vent CI Plus Roof Jacks

ROOF OPENING FRAMING DIMS. FIG. 1			CURB SIZE FIG. 2	SUPPORT DISTANCE
PART #	VENT DIAM	OPENING	CURB O.D.	VENT HEIGHT
	DIM A	DIM B	DIM C	HEIGHT IN FEET
CCL06RJ	6	14 X 14	24	30
CCL08RJ	8	16 X 16	24	30
CCL10RJ	10	18 X 18	24	30
CCL12RJ	12	20 X 20	24	30
CCL14RJ	14	22 X 22	27	20
CCL16RJ	16	24 X 24	30	20
CCL18RJ	18	26 X 26	32	15
CCL20RJ	20	28 X 28	34	15
CCL22RJ	22	30 X 30	36	10
CCL24RJ	24	32 X 32	36	10
CCA26RJ	26	34 X 34	36	6
CCL28RJ	28	36 X 36	40	6
CCL30RJ	30	38 X 38	42	6
CCL32RJ	32	40 X 40	44	6